

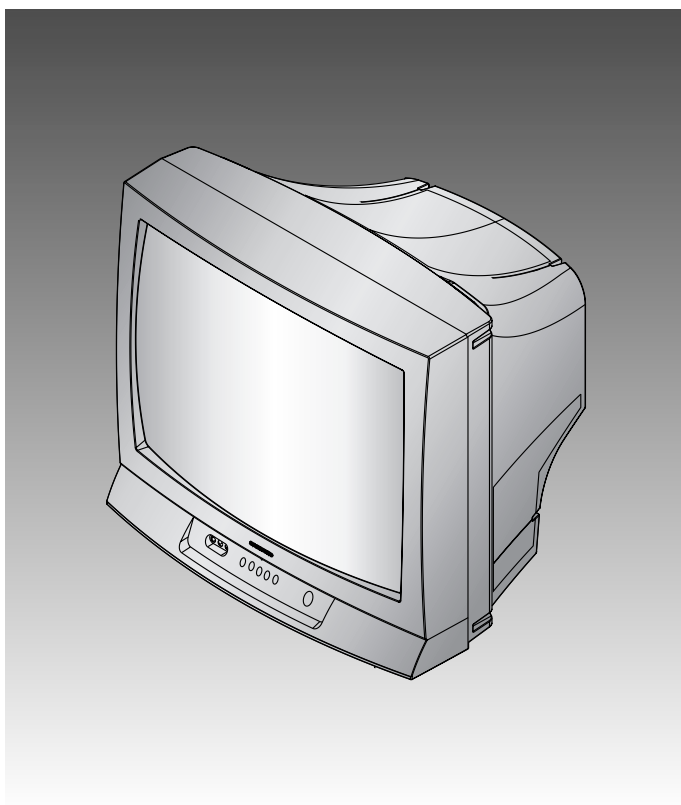
SAMSUNG

COLOR TELEVISION RECEIVER

Chassis : K15C
Model : TXM2756X/XAA TXM2556X/XAA
CT29F6SWX/XAO CT26F6SWX/XAO
CT29F6SWX/XAP CT26F6SWX/XAP

SERVICE *Manual*

COLOR TELEVISION RECEIVER



CONTENTS

1. Precautions
2. Specifications and IC Data
3. Disassembly and Reassembly
4. Alignment and Adjustment
5. Troubleshooting
6. Exploded View and Parts List
7. Electrical Parts List
8. Block Diagram
9. Wiring Diagram
10. Schematic Diagrams



1. Precautions

Follow these safety, servicing and ESD precautions to prevent damage and protect against potential hazards such as electrical shock and X-rays.

1-1 Safety Precautions

1. Be sure that all of the built-in protective devices are replaced. Restore any missing protective shields.
2. When reinstalling the chassis and its assemblies, be sure to restore all protective devices, including: nonmetallic control knobs and compartment covers.
3. Make sure that there are no cabinet openings through which people—particularly children—might insert fingers and contact dangerous voltages. Such openings include the spacing between the picture tube and the cabinet mask, excessively wide cabinet ventilation slots, and improperly fitted back covers.

If the measured resistance is less than 1.0 megohm or greater than 5.2 megohms, an abnormality exists that must be corrected before the unit is returned to the customer.

4. Leakage Current Hot Check (Figure 1-1):
Warning: Do not use an isolation transformer during this test. Use a leakage-current tester or a metering system that complies with American National Standards Institute (ANIS C101.1, Leakage Current for Appliances), and Underwriters Laboratories (UL Publication UL1410, 59.7).
5. With the unit completely reassembled, plug the AC line cord directly into the power outlet. With the unit's AC switch first in the ON position and then OFF, measure the current between a known earth ground (metal water pipe, conduit, etc.) and all exposed metal parts, including: antennas, handle brackets, metal cabinets, screwheads and control shafts. The current measured should not exceed 0.5 milliamp. Reverse the power-plug prongs in the AC outlet and repeat the test.

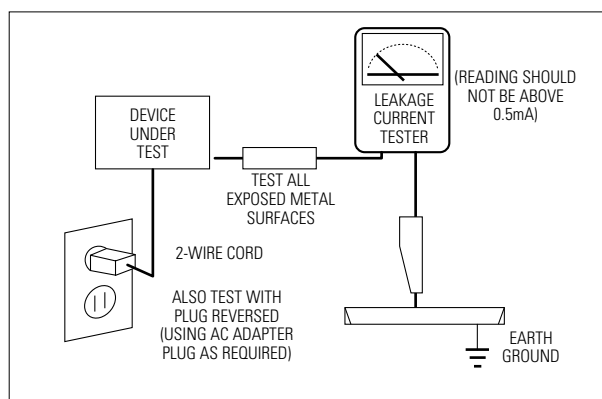


Fig. 1-1 AC Leakage Test

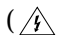
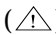
6. Antenna Cold Check:
With the unit's AC plug disconnected from the AC source, connect an electrical jumper across the two AC prongs. Connect one lead of the ohmmeter to an AC prong. Connect the other lead to the coaxial connector.
7. X-ray Limits:
The picture tube is especially designed to prohibit X-ray emissions. To ensure continued X-ray protection, replace the picture tube only with one that is the same type as the original. Carefully reinstall the picture tube shields and mounting hardware; these also provide X-ray protection.
8. High Voltage Limits:
High voltage must be measured each time servicing is done on the B+, horizontal deflection or high voltage circuits. Correct operation of the X-ray protection circuits must be reconfirmed whenever they are serviced.
(X-ray protection circuits also may be called "horizontal disable" or "hold-down".)

Heed the high voltage limits. These include the X-ray Protection Specifications Label, and the Product Safety and X-ray Warning Note on the service data schematic.

1-1 Safety Precautions (Continued)

9. High voltage is maintained within specified limits by close-tolerance, safety-related components and adjustments. If the high voltage exceeds the specified limits, check each of the special components.
10. Design Alteration Warning:
Never alter or add to the mechanical or electrical design of this unit. Example: Do not add auxiliary audio or video connectors. Such alterations might create a safety hazard. Also, any design changes or additions will void the manufacturer's warranty.
11. Hot Chassis Warning:
Some TV receiver chassis are electrically connected directly to one conductor of the AC power cord. If an isolation transformer is not used, these units may be safely serviced only if the AC power plug is inserted so that the chassis is connected to the ground side of the AC source.

To confirm that the AC power plug is inserted correctly, do the following: Using an AC voltmeter, measure the voltage between the chassis and a known earth ground. If the reading is greater than 1.0V, remove the AC power plug, reverse its polarity and reinsert. Re-measure the voltage between the chassis and ground.
12. Some TV chassis are designed to operate with 85 volts AC between chassis and ground, regardless of the AC plug polarity. These units can be safely serviced only if an isolation transformer inserted between the receiver and the power source.
13. Some TV chassis have a secondary ground system in addition to the main chassis ground. This secondary ground system is not isolated from the AC power line. The two ground systems are electrically separated by insulating material that must not be defeated or altered.
14. Components, parts and wiring that appear to have overheated or that are otherwise damaged should be replaced with parts that meet the original specifications. Always determine the cause of damage or overheating, and correct any potential hazards.
15. Observe the original lead dress, especially near the following areas: Antenna wiring, sharp edges, and especially the AC and high voltage power supplies. Always inspect for pinched, out-of-place, or frayed wiring. Do not change the spacing between components and the printed circuit board. Check the AC power cord for damage. Make sure that leads and components do not touch thermally hot parts.
16. Picture Tube Implosion Warning:
The picture tube in this receiver employs "integral implosion" protection. To ensure continued implosion protection, make sure that the replacement picture tube is the same as the original.
17. Do not remove, install or handle the picture tube without first putting on shatterproof goggles equipped with side shields. Never handle the picture tube by its neck. Some "in-line" picture tubes are equipped with a permanently attached deflection yoke; do not try to remove such "permanently attached" yokes from the picture tube.
18. Product Safety Notice:
Some electrical and mechanical parts have special safety-related characteristics which might not be obvious from visual inspection. These safety features and the protection they give might be lost if the replacement component differs from the original—even if the replacement is rated for higher voltage, wattage, etc.

Components that are critical for safety are indicated in the circuit diagram by shading, () or ().
Use replacement components that have the same ratings, especially for flame resistance and dielectric strength specifications. A replacement part that does not have the same safety characteristics as the original might create shock, fire or other hazards.

1-2 Servicing Precautions

Warning1: First read the "Safety Precautions" section of this manual. If some unforeseen circumstance creates a conflict between the servicing and safety precautions, always follow the safety precautions.

Warning2: An electrolytic capacitor installed with the wrong polarity might explode.

1. Servicing precautions are printed on the cabinet. Follow them.
2. Always unplug the unit's AC power cord from the AC power source before attempting to: (a) Remove or reinstall any component or assembly, (b) Disconnect an electrical plug or connector, (c) Connect a test component in parallel with an electrolytic capacitor.
3. Some components are raised above the printed circuit board for safety. An insulation tube or tape is sometimes used. The internal wiring is sometimes clamped to prevent contact with thermally hot components. Reinstall all such elements to their original position.
4. After servicing, always check that the screws, components and wiring have been correctly reinstalled. Make sure that the portion around the serviced part has not been damaged.
5. Check the insulation between the blades of the AC plug and accessible conductive parts (examples: metal panels, input terminals and earphone jacks).
6. Insulation Checking Procedure: Disconnect the power cord from the AC source and turn the power switch ON. Connect an insulation resistance meter (500V) to the blades of the AC plug.

The insulation resistance between each blade of the AC plug and accessible conductive parts (see above) should be greater than 1 megohm.
7. Never defeat any of the B+ voltage interlocks. Do not apply AC power to the unit (or any of its assemblies) unless all solid-state heat sinks are correctly installed.
8. Always connect a test instrument's ground lead to the instrument chassis ground before connecting the positive lead; always remove the instrument's ground lead last.

1-3 Precautions for Electrostatically Sensitive Devices (ESDs)

1. Some semiconductor (“solid state”) devices are easily damaged by static electricity. Such components are called Electrostatically Sensitive Devices (ESDs); examples include integrated circuits and some field-effect transistors. The following techniques will reduce the occurrence of component damage caused by static electricity.
2. Immediately before handling any semiconductor components or assemblies, drain the electrostatic charge from your body by touching a known earth ground. Alternatively, wear a discharging wrist-strap device. (Be sure to remove it prior to applying power—this is an electric shock precaution.)
3. After removing an ESD-equipped assembly, place it on a conductive surface such as aluminum foil to prevent accumulation of electrostatic charge.
4. Do not use freon-propelled chemicals. These can generate electrical charges that damage ESDs.
5. Use only a grounded-tip soldering iron when soldering or unsoldering ESDs.
6. Use only an anti-static solder removal device. Many solder removal devices are not rated as “anti-static”; these can accumulate sufficient electrical charge to damage ESDs.
7. Do not remove a replacement ESD from its protective package until you are ready to install it. Most replacement ESDs are packaged with leads that are electrically shorted together by conductive foam, aluminum foil or other conductive materials.
8. Immediately before removing the protective material from the leads of a replacement ESD, touch the protective material to the chassis or circuit assembly into which the device will be installed.
9. Minimize body motions when handling unpackaged replacement ESDs. Motions such as brushing clothes together, or lifting a foot from a carpeted floor can generate enough static electricity to damage an ESD.

CAUTION

These servicing instructions are for use by qualified service personnel only. To reduce the risk of electric shock do not perform any servicing other than that contained in the operating instructions unless you are qualified to do so.

2. Specifications and IC Data

2-1 Specifications

Television System:

MODEL	SYSTEM
CT	NTSC ONLY

Channels:

System Band	NTSC
VHF	2 - 13
UHF	14 - 69
CABLE	1 - 125

Intermediate Frequencies (MHz) :

SYSTEM IF Carrier Frequency	NTSC
Picture IF Carrier	45.75
Sound IF Carrier	41.25
Color Sub Carrier	42.18

Picture Tube:

20 Inch	A51QDX991X001	20Inch	FLAT
25 Inch	A63QDB891X	25Inch	1.0R, +380MG
29 Inch	A68QDN891X001	29Inch	1.0R, +380MG

Power Requirements:

AC 120V, 60Hz

Antenna Input Impedance:

VHF, UHF : Telescopic dipole antenna (75 ohm unbalanced type)

Speaker Impedance

8 ohm, 2W+2W (Dual Type)

2-2 IC Line Up

Table 2-1 IC Line-Up			
Loc. No	Specification	Description	Remark
IC201S	SPM456AN	TDA9377, English/Spanish/French	Philips
IC301	LA7841	VERTICAL OUTPUT	Sanyo
IC501	TDA6107Q	RGB DRIVE AMP	Philips
IC602	TDA7268	SOUND-AMP (2W x 2CH)	Philips
IC801S	KA5Q0740RT (0765RT)	POWER IC (STR)	FIAIR CHILD
IC802	KA7632	CUSTOM REGULATOR (5V, 8V, 3.3V)	SEC
IC202	24C04	EEPROM	
PC801S	TCET1108 / LTV817B	PHOTO COUPLER	
IC101	LA7510	SIF - IC	SANYO
IC601	MSP3425G	Sound Processor	Micronas

2-3 Semiconductor Base Diagrams

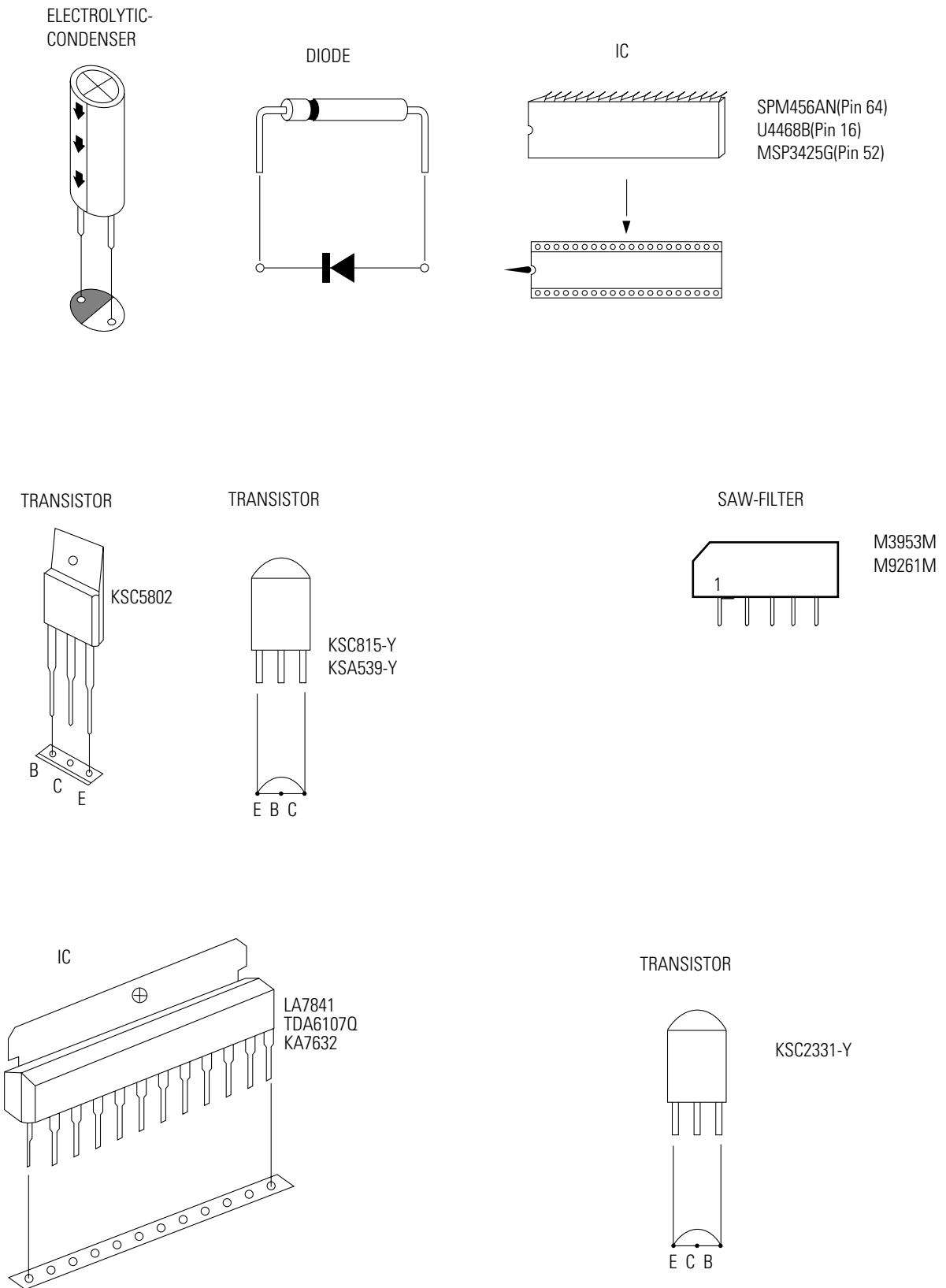
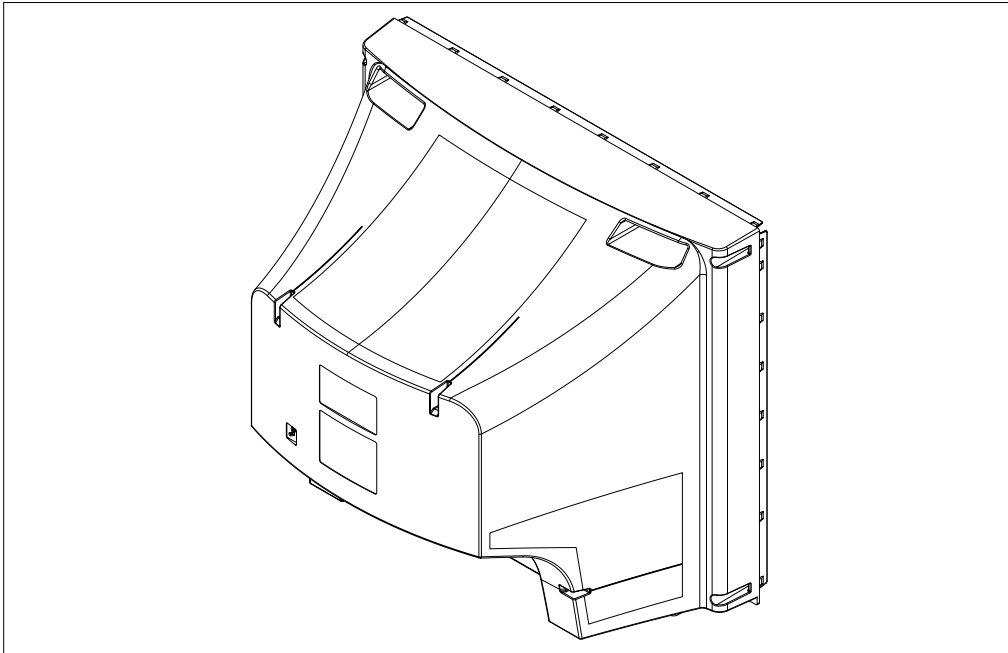


Fig. 2-1 Semiconductor Base Diagrams

MEMO

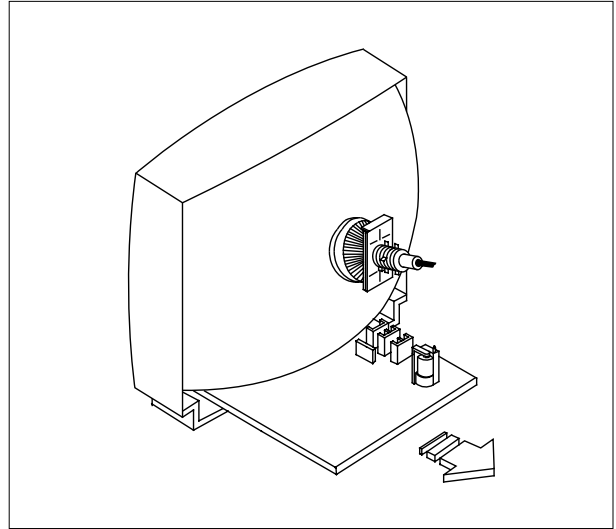
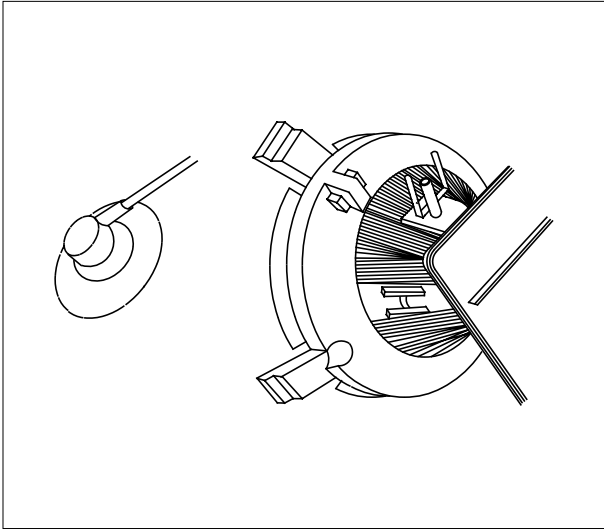
3. Disassembly and Reassembly

3-1 Back Cover Removal



1. After removing the screws, press the tension rib and pull the cabinet backwards.
2. To reassemble, press the tension rib (see diagram).

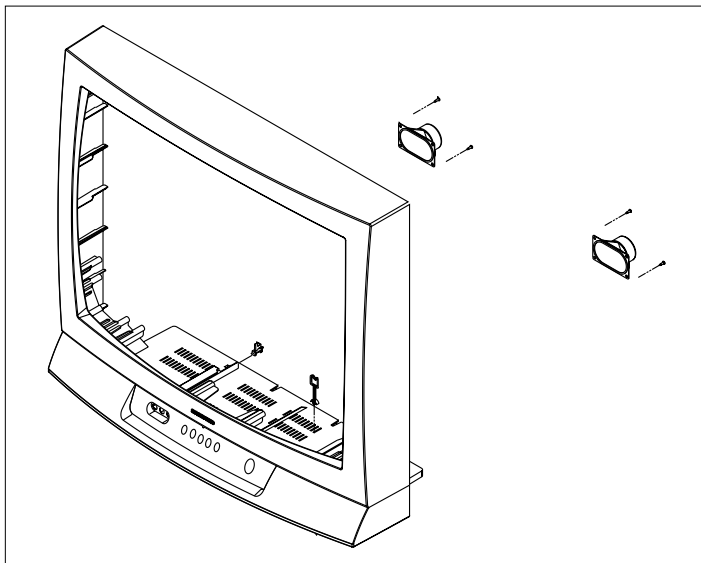
3-2 Main Board Removal



1. Separate the socket board from the CRT neck.
2. Remove the Anode Cap from the CRT.
3. Remove the main board by pulling it with both hands.

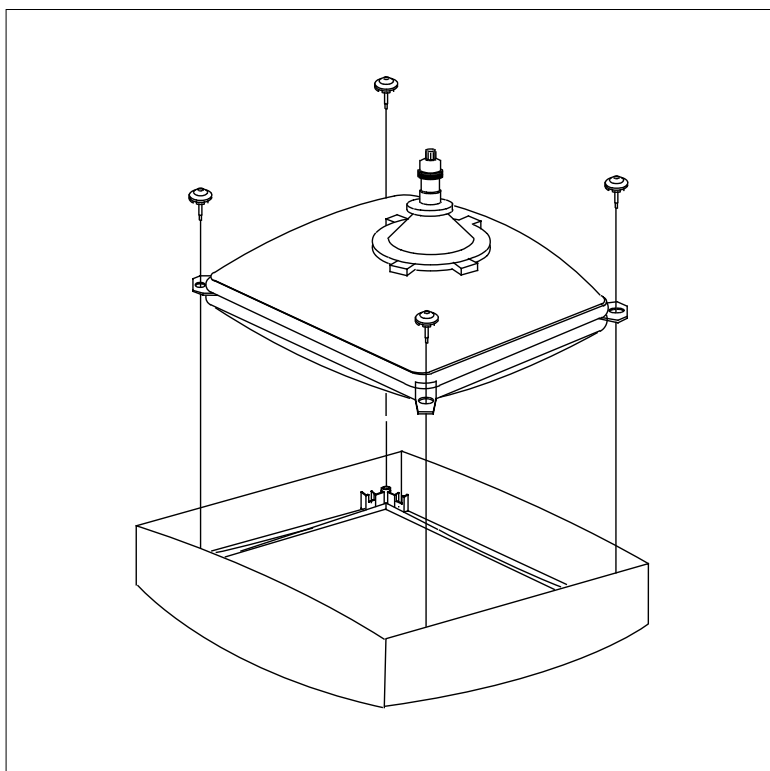
Warning: The FBT is charged with high voltage. Before removing the Anode Cap, discharge the voltage through one of the heat sinks on the main board.

3-3 Speaker Removal



1. Remove the speaker by pressing the tension rib.

3-4 CRT Removal



1. Spread a soft mat on the floor. Place the TV set face down.
2. Remove the 4 nuts mounting the CRT to the front cabinet. Lift the CRT.
3. Caution: Because of the high vacuum and large surface area of the picture tube, be careful while handling it: (1) Always lift the picture tube by grasping it firmly around the faceplate, (2) Never lift the tube by its neck. (3) Do not scratch the picture tube or apply excessive pressure. Fractures of the glass may cause an implosion.

MEMO

4. Alignment and Adjustments

4-1 Preadjustment

4-1-1 Factory Mode

1. Do not attempt these adjustments in the Video Mode.
2. The Factory Mode adjustments are necessary when either the EEPROM (IC902) or the CRT is replaced.
3. Do not tamper with the "Adjustment" screen of the Factory Mode menu. This screen is intended only for factory use.

4-1-2 When EEPROM (IC902) Is Replaced

1. When IC902 is replaced all adjustment data revert to initial values. It is necessary to re-program this data.
2. After IC902 is replaced, warm up the TV for 10 seconds.

4-1-3 When CRT Is Replaced

1. Make the following adjustments AFTER setting up after setting up purity and convergence :

White Balance
 Sub-Brightness
 Vertical Center
 Vertical Size
 Horizontal Size
 Fail Safe (This adjustment must be the last step).

2. If the EEPROM or CRT is replaced and set SC as 35(factory mode).

4-2 Factory/Service Mode

4-2-1 Procedure for the "Adjustment" Mode

1. This mode uses the standard remote control. The Service Mode is activated by entering the following remote-control sequence :
 - (1) DISPLAY → FACTORY.
 - (2) STAND-BY → MUTE → 1 → 8 → 2 → POWER ON.
2. The "SERVICE (FACTORY)" message will be displayed. The Service Mode has four components: ADJUST, OPTION , G2-ADJUST and RESET.
3. Access the Adjustment Mode by pressing the "VOLUME" keys (Up or Down). The adjustment parameters are listed in the accompanying table, and selected by pressing the CHANNEL keys (▲, ▼).
4. Selection sequences for the all system:

DOWN or UP key:

SCT>SBT>BLR>BLB>RG>GG>BG>VSL>VS>VA>HS>SC>CDL>STT>AKB>PDL>NDL>PSR>NSR>SCBT>VOL>CAP>MVOL>RP00>RP01>FMWS>AGC1>OMD>SCL>PWL>MUS>AGC>DSK>DVDB
5. The VOLUME keys increase or decrease the adjustment values (stored in the non-volatile memory) when Adjustment Mode is cancelled.
6. Cancel the Adjustment Mode by re-pressing the "FACTORY" or "Power OFF" keys.

4-2-2 Main Adjustment Parameter

NO	OSD	FUNCTION	RANGE	INITIAL DATA	SETTING	REMARK
1	SCT	Sub Contrast	0 ~ 23	15	(16)	W/B Adjustment
2	SBT	Sub Brightness	0 ~ 23	8	(6)	W/B Adjustment
3	BLR	Black Level offset Red	0 ~ 63	35	(37)	W/B Adjustment
4	BLB	Black Level offset Blue	0 ~ 63	32	(33)	W/B Adjustment
5	RG	Red Gain	0 ~ 63	40	(38)	W/B Adjustment
6	GG	Green Gain	0 ~ 63	30	30	FIX
7	BG	Blue Gain	0 ~ 63	42	(39)	W/B Adjustment
8	VSL	Vertical Slope	0 ~ 63	30	(32)	Vertical Picture Adjusment
9	VS	Vertical Shift	0 ~ 63	31	31	FIX
10	VA	Vertical Amplitude	0 ~ 63	20	(20)	Vertical Picture Adjusment
11	HS	Horizontal Shift	0 ~ 63	32	(33)	Picture Adjusment
12	SC	S-Correction	0 ~ 63	35	35	FIX
13	CDL	Cathode Drive Level	0 ~ 15	11	11	FIX
14	STT	Sub Tint	0 ~ 7	3	3	FIX
15	AKB	AKB On / off	0 ~ 1	0	0	FIX
16	PDL	PAL Delay	0 ~ 15	2	2	FIX
17	NDL	NTSC Delay	0 ~ 15	1	1	FIX
18	PSR	PAL Sub color	0 ~ 23	20	20	FIX
19	NSR	NTSC Sub color	0 ~ 23	3	3	FIX
20	SCBT	Screen Brightness	0 ~ 63	35	35	FIX
21	VOL	Volume pre setting	0 ~ 63	10	10	FIX
22	CAP	Caption Position	0 ~ 15	12	12	FIX
23	MVOL	Melody Sound Volume	0 ~ 50	7	7	FIX
24	RP00	Ratio Pre / overshoot	0 ~ 1	1	1	FIX
25	RP01	Ratio Pre / overshoot	0 ~ 1	1	1	FIX
26	FMWS	Window Selection Sound PLL	0 ~ 1	0	0	FIX (Mono)
27	AGC1	IF AGC Speed	0 ~ 3	1	1	FIX (Nomal)
28	OMD	Offset IF Demodulator	0 ~ 63	32	32	FIX (No Crrrection)
29	SCL	Soft Clipping Level	0 ~ 3	3	3	FIX (Off)
30	PWL	Peak White Limiting	0 ~ 15	15	15	FIX (100%)
31	MUS	Matrix USA	0 ~ 1	0	0	FIX (Mono)
32	AGC	Automatic Gain Control	0 ~ 63	33	33	FIX
33	DSK	Dynamic Skin Tone	0 ~ 1	0	0	FIX
34	DVDB	DVD Bright Offset	0 ~ 10	5	4	FIX

4-2-3 Option Bytes

In the Service Mode, various can be selected via the Option Table. Example:

Option Table : xx xx

	OSD	SETTING	REMARK
1	VIDEO MUTE	OFF	- Video Mute On/Off changing the channel
2	AUDIO	STEREO	- Audio Option (Mono / Steeo)
3	E/W	OFF	- E/W Option
4	ZOOM	NOR/ZOOM	- Picture Size Option
5	AUTO POWER	OFF	- Master S/w Option
6	AUDIO MUTE	ON	- Audio Mute On/ Off without signal
7	LANGUAGE	ENGLISH	- Inital Language agter Factory Reset
8	HOTEL MODE	OFF	- Hotel mode On/ Off
9	BULE SCREEN	OFF	- Bule Screen On/ Off without signal
10	2'nd SIF	INTERNAL	- SIF Option at Mono sound
11	V-CHIP	ON	- V-CHIP On/Off
12	AV Option	AV + DVD	- DVD, S-VHS Option
13	DEMO	OFF	- DEMONSTRATION On/Off

4-2-4 RESET

The Reset Mode is used during factory inspection.
Function Reset:

- | | |
|-----------------|---------|
| 1. Picture Mode | Custom |
| 2. Sound Mode | Custom |
| 3. Auto Volume | Off |
| 4. Melody | On |
| 5. Surround | Off |
| 6. Turbo Sound | Off |
| 7. MTS | Stereo |
| 8. Language | English |
| 9. Caption | Off |
| 10. Timer | Off |

4-3 Other Adjustments

4-3-1 General

1. Usually, a color TV needs only slight touch-up adjustment upon installation. Check the basic characteristics such as height, horizontal and vertical sync and focus.
2. The picture should have good black and white details. There should be no objectionable color shading; if color shading is present, perform the purity and convergence adjustments described below.
3. Use the specified test equipment or its equivalent.
4. Correct impedance matching is essential.
5. Avoid overload. Excessive signal from a sweep generator might overload the front-end of the TV. When inserting signal markers, do not allow the marker generator to distort test results.
6. Connect the TV only to an AC power source with voltage and frequency as specified on the backcover nameplate.
7. Do not attempt to connect or disconnect any wires while the TV is turned on. Make sure that the power cord is disconnected before replacing any parts.
8. To protect against shock hazard, use an isolation transformer.

4-3-2 Automatic Degaussing

A degaussing coil is mounted around the picture tube, so that external degaussing after moving the TV should be unnecessary. But the receiver must be properly degaussed upon installation.

The degaussing coil operates for about 1 second after the power is switched ON. If the set has been moved or turned in a different direction, disconnect its AC power for at least 30 minutes.

If the chassis or parts of the cabinet become magnetized, poor color purity will result. If this happens, use an external degaussing coil. Slowly move the degaussing coil around the faceplate of the picture tube and the sides and front of the receiver. Slowly withdraw the coil to a distance of about 6 feet before removing power.

4-3-3 High Voltage Check

CAUTION: There is no high voltage adjustment on this chassis. The B+ power supply must be set to +125 volts (Full color bar input and normal picture level).

1. Connect a digital voltmeter to the second anode of the picture tube.
2. Turn on the TV. Set the Brightness and Contrast controls to minimum (zero beam current).
3. The high voltage should not exceed 30KV.
4. Adjust the Brightness and contrast controls to both extremes. Ensure that the high voltage does not exceed 30KV under any conditions.

4-3-4 FOCUS Adjustment

1. Input a black and white signal.
2. Adjust the tuning control for the clearest picture.
3. Adjust the FOCUS control for well defined scanning lines in the center area of the screen.

4-3-5 Cathode Voltage Adjustment (Screen Adjustment)

1. Connect CRT socket pin GK to an oscilloscope probe.
2. Input a gray scale pattern. (Use a pattern generator, PM5518)
3. Use the P mode key (on the remote control) for the STANDARD picture.
4. Adjust the Screen VR (on the FBT) so that the voltage on the oscilloscope becomes $125 \pm 2.5V$ (See Fig. 4-1).

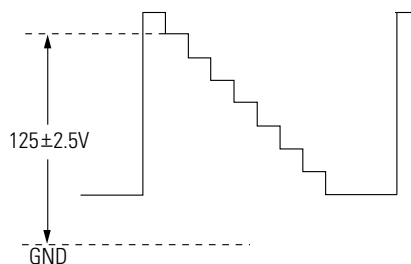


Fig. 4-1

4-3-6 Purity Adjustment

1. Warm up the receiver for at least 20 minutes.
2. Plug in the CRT deflection yoke and tighten the clamp screw.
3. Plug the convergence yoke into the CRT and set in as shown in Fig. 4-2.
4. Input a black and white signal.
5. Fully demagnetize the receiver by applying an external degaussing coil.
6. Turn the CONTRAST and BRIGHTNESS controls to maximum.
7. Loosen the clamp screw holding the yoke. Slide the yoke backward or forward to provide vertical green belt. (Fig. 4-3).
8. Tighten the convergence yoke.
9. Slowly move the deflection yoke forward, and adjust for the best overall green screen.
10. Temporarily tighten the deflection yoke.
11. Produce blue and red rasters by adjusting the low-light controls. Check for good purity in each field.
12. Tighten the deflection yoke.

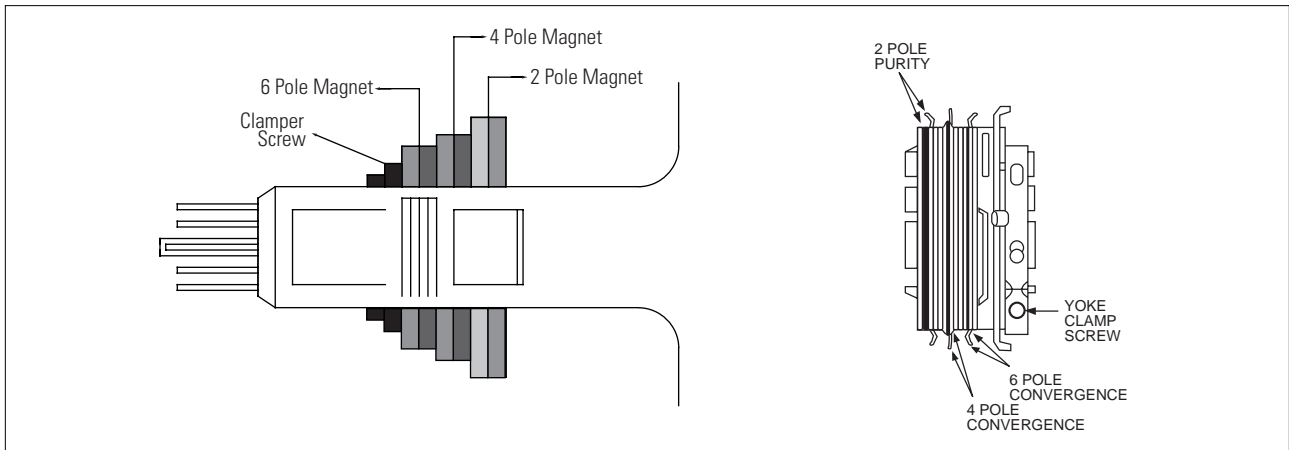


Fig. 4-2 Convergence Magnet Assembly

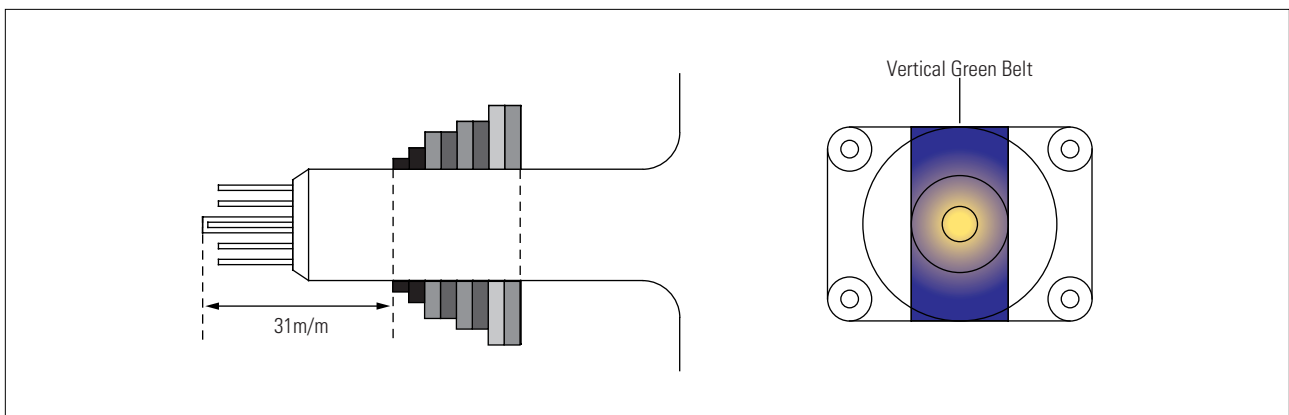


Fig. 4-3 Center Convergence Adjustment

4-3-7 White Balance Adjustment

(a) Set up

1. Warm up the TV for at least 30 minutes in the Aging Mode (OSD White). This mode is displayed by entering the following sequence:

DISPLAY →FACTORY → FACTORY

2. Input a Toshiba pattern.

(b) Low-Light Adjustment

1. Set SBT to 1.0 fL in the Factory Service Mode with using CA100. See Fig. 4-4.
2. Adjust RG,BG so that the levels are suitable to each local area.

(c) High-Light Adjustment

1. Set SCT to 35 FL in the Factory Service Mode with using CA100. See Fig. 4-4 .

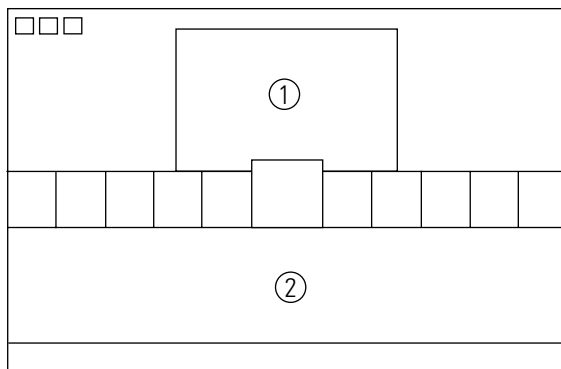


Fig. 4-4

4-3-8 Center Convergence Adjustment

1. Warm up the receiver for at least 20 minutes.
2. Adjust the two tabs of the 4 pole magnets to change the angle between them. Superimpose the red and blue vertical lines in the center area of the screen.
3. Adjust the Brightness and Contrast controls for a well defined picture.
4. Adjust the two-tab pairs of the 4 pole magnets, and change the angle between them. Superimpose the red and the blue vertical lines in the center area of the screen.
5. Turn the both tabs at the same time, keeping the angle constant, and superimpose the red and blue horizontal line in the center of the screen.
6. Adjust the two-tab pairs of the 6-pole magnets to superimpose the red and blue line onto the green. (Changing the angle affects the vertical lines, and rotating both magnets affects the horizontal lines.)
7. Repeat adjustments 2~6, if necessary.
8. Since the 4-pole magnets and 6-pole magnets interact, the dot movement is complex (Fig. 4-5).



Fig. 4-5 Center Convergence Adjustment

4-3-9 RF AGC Adjustment

Set the AGC data to 33 (Factory Mode).

4-3-10 Sub-Color Adjustment

Set $\frac{PSR}{NSR}$ data to $\frac{20}{3}$ (Factory Mode).

4-3-11 Geometry Adjustment

SC → VS → VA → VSL → HS

1. Input a lion head pattern.
2. Set the SC (S-Correction) as 35 and VS (Vertical Shift) 31 so that the lion head circle becomes oval.
3. Adjust with VA (Vertical Amplitude) so that the top margin of the picture is 4.

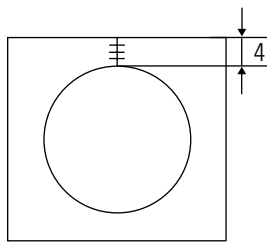


Fig. 4-7

4. Adjust with VSL (Vertical-Slope) so that the bottom margin of the picture is 4.

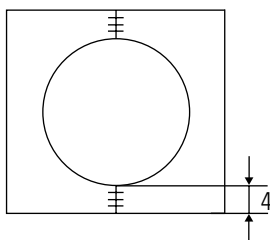


Fig. 4-8

5. Adjust with HS (Horizontal Shift) so that the lion-head pattern and CRT centers are aligned.

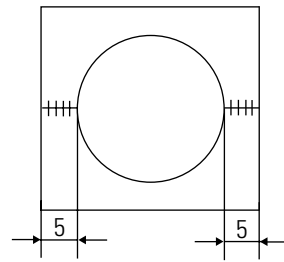
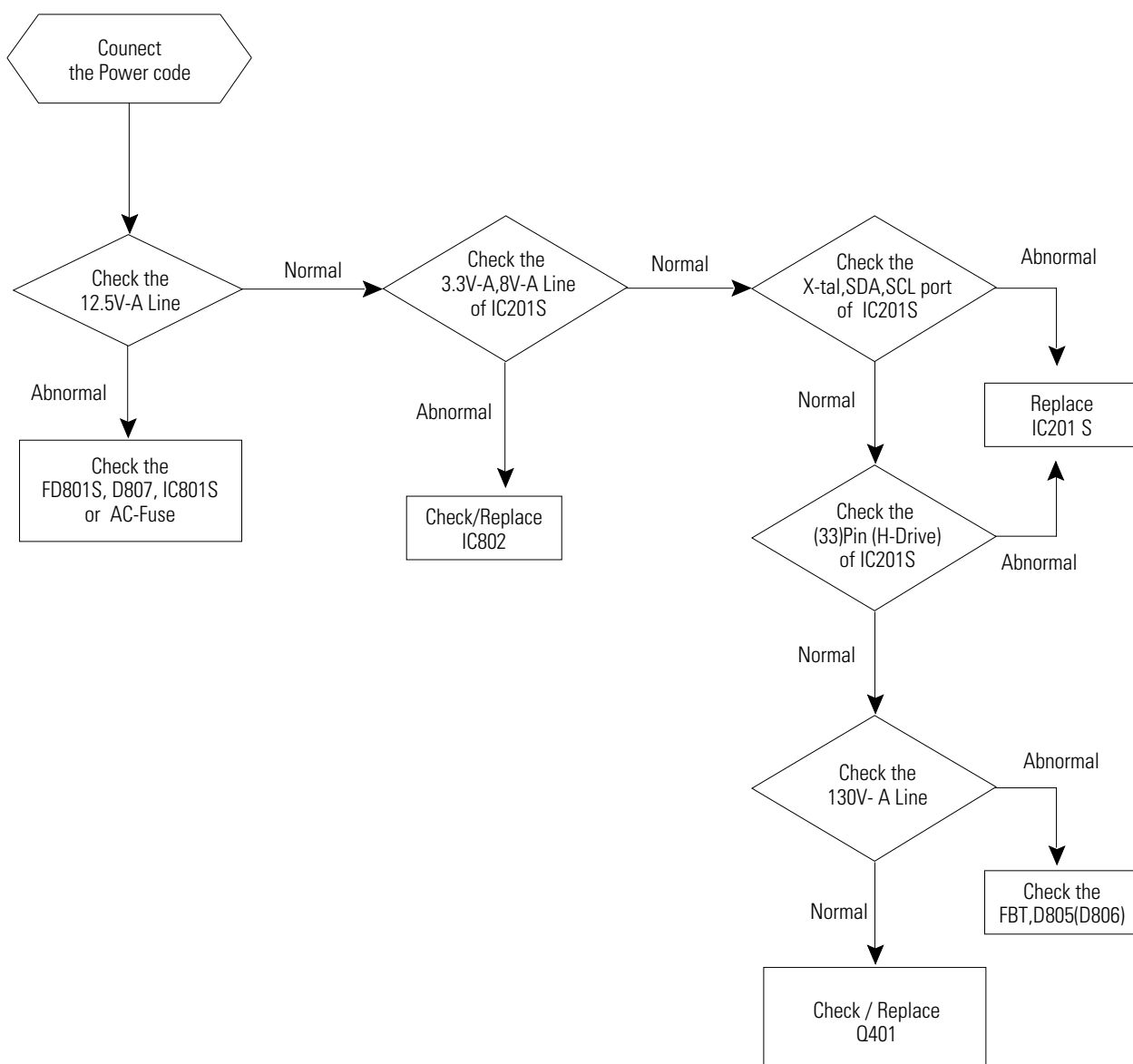


Fig. 4-9

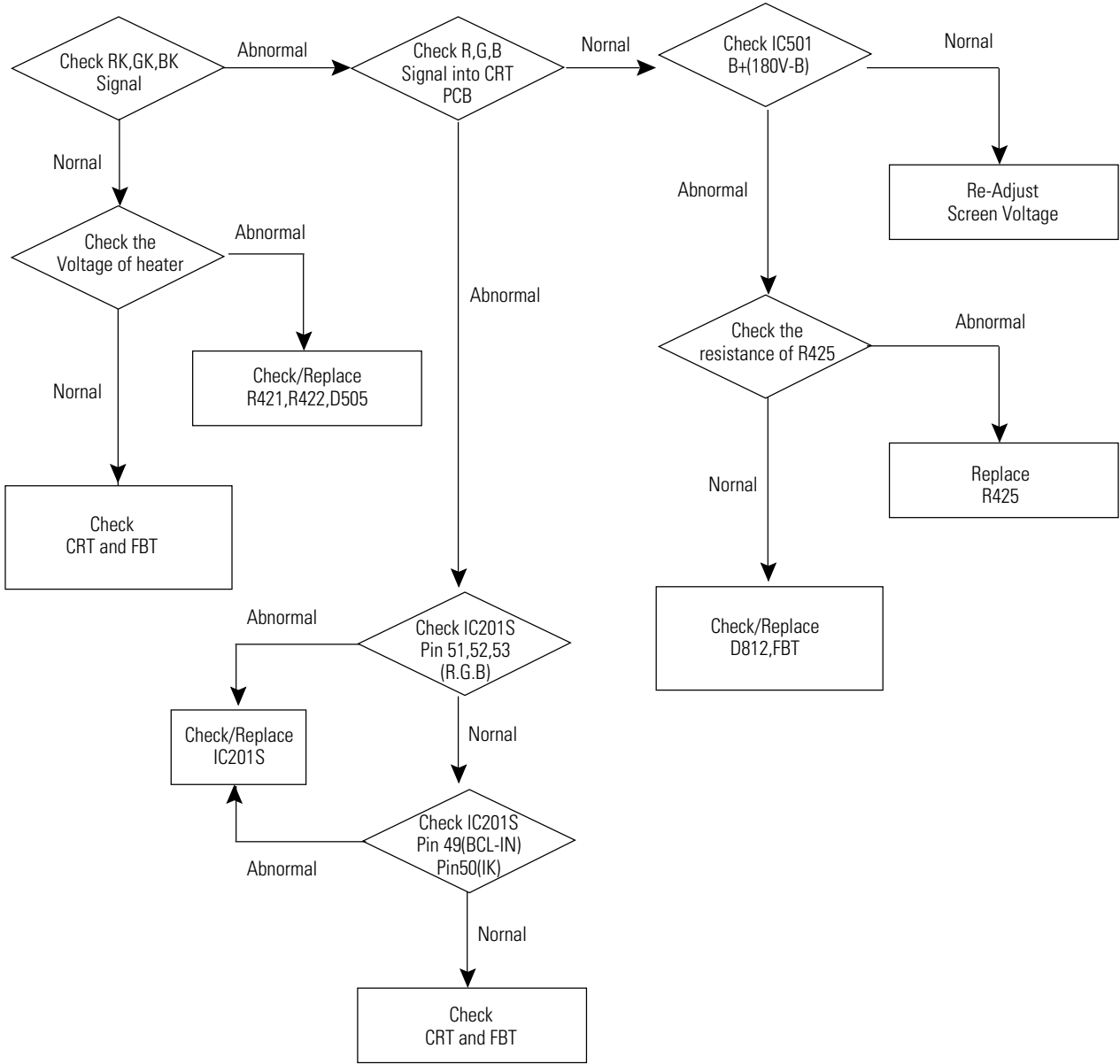
6. Adjust HS (Horizontal Shift) so that the left and right margins of the picture are 5.

5. Troubleshooting

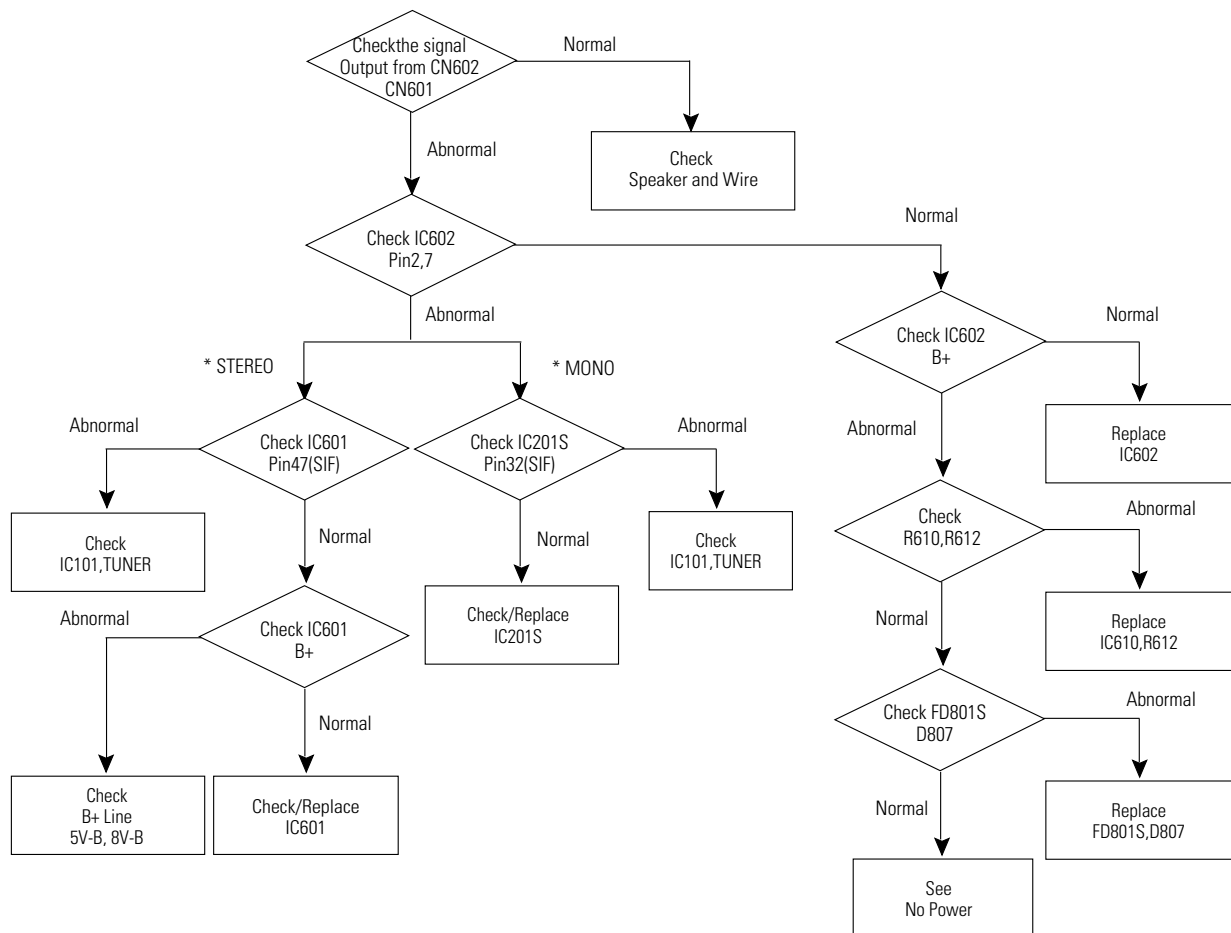
5-1 No Power



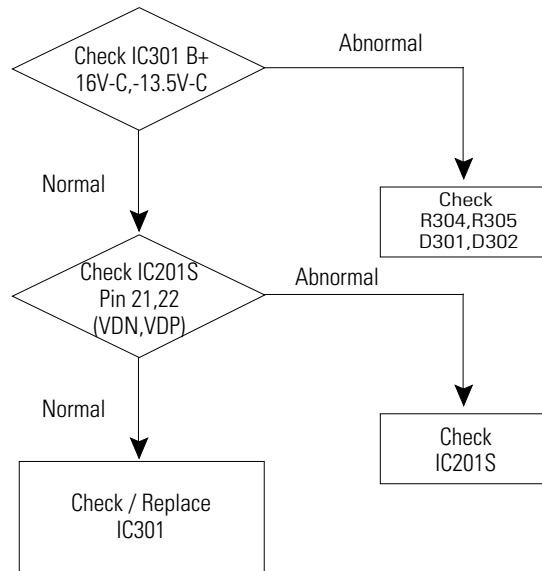
5-2 No Video (Sound OK)



5-3 No Sound (Video OK)

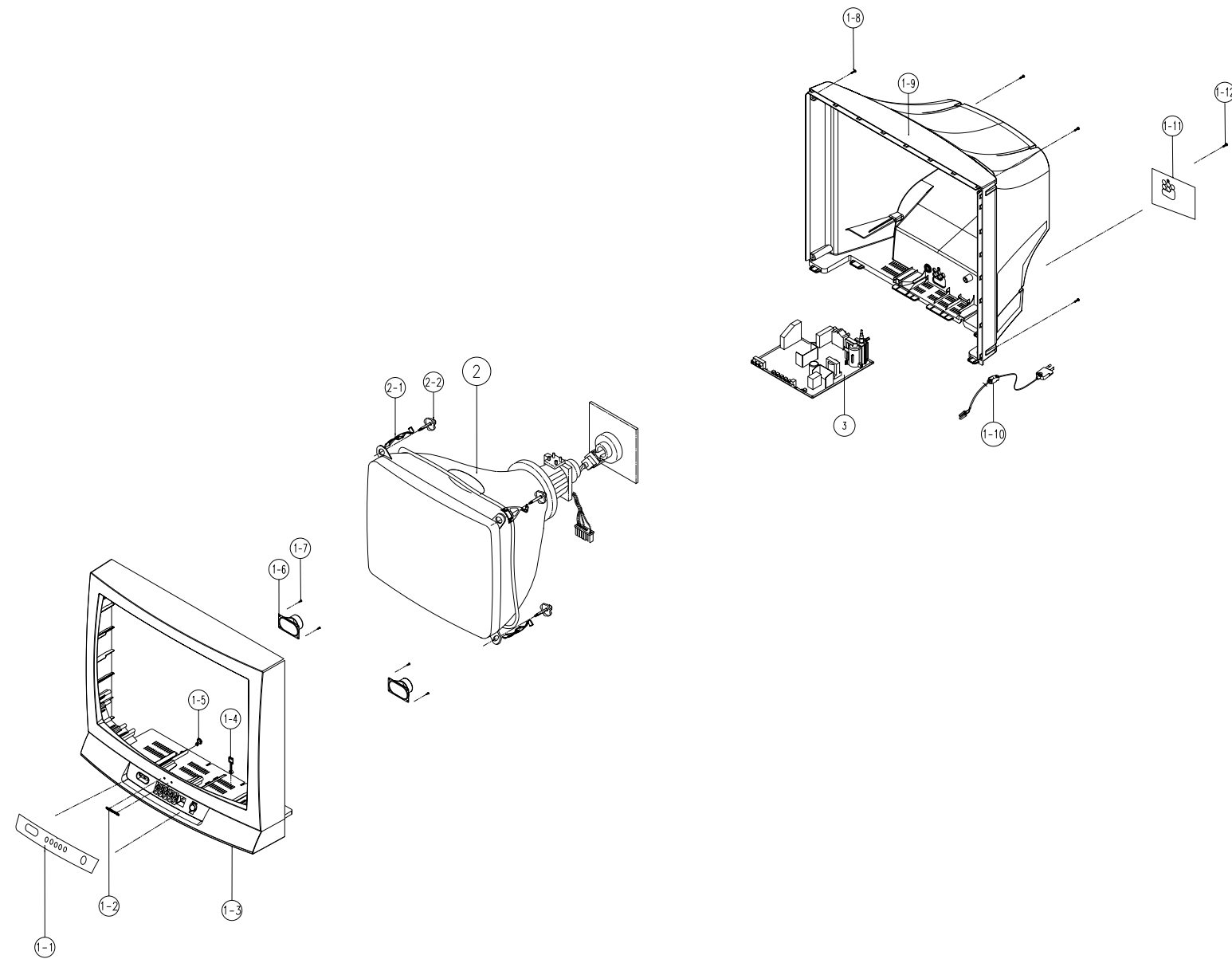


5-4 Horizontal Lines Appear or Screen



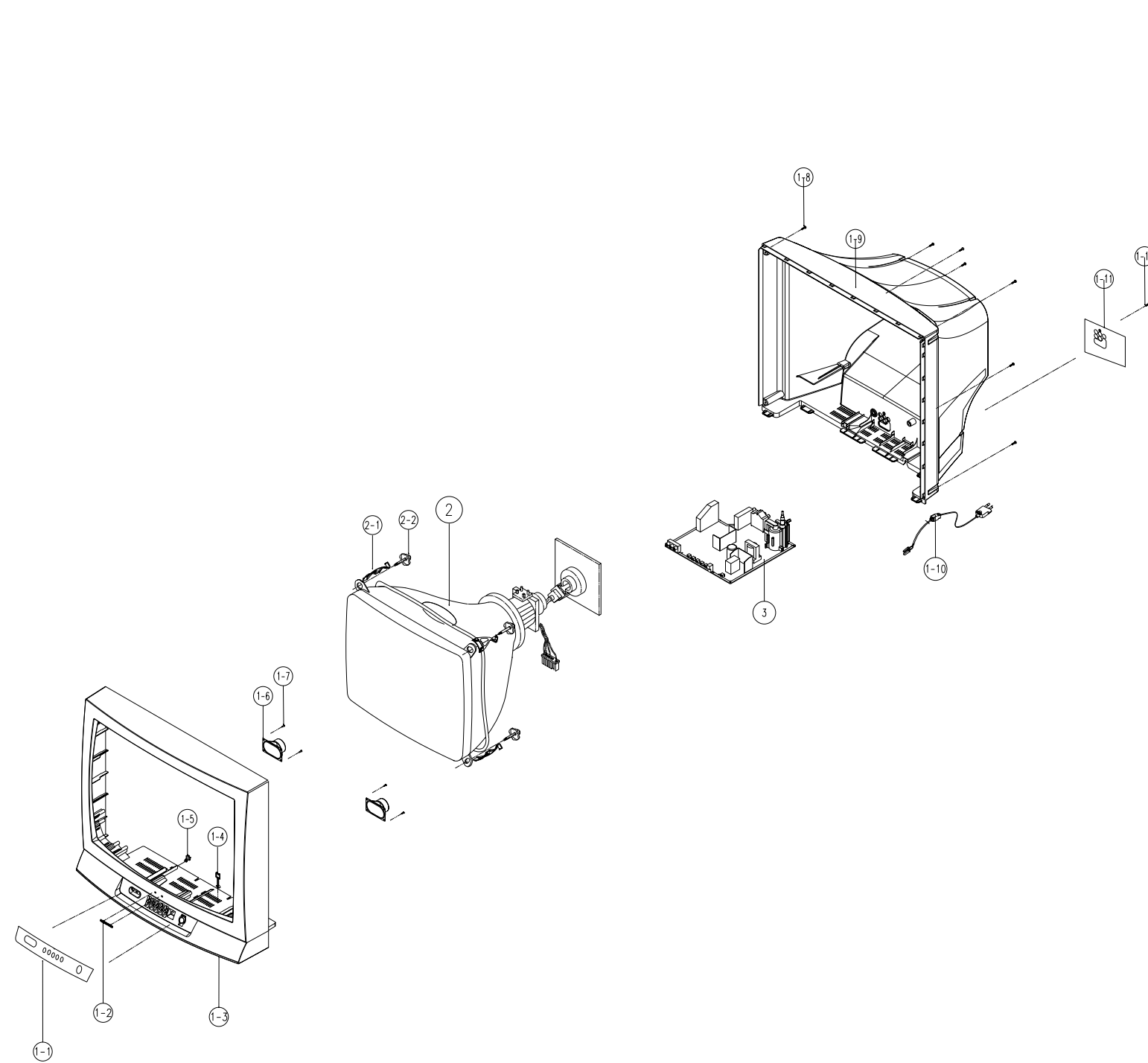
6. Exploded View & Parts List

6-1 26F6



No	Code No	Description	;Specification	Q'ty	Remark
1-1	AA64-02306D	INLAY-CONTROL	PC SHEET EMBO T0.5	1	
1-2	AA64-70117B	BADGE-BRAND	AL SILVER L65	1	
1-3	AA64-02302B	CABINET-FRONT	HIPS HB G4309	1	
1-4	AA65-00011C	CLAMP-WIRE	NYLON 66 V2	1	
1-5	AA61-40113A	STOPPER-PCB	HIPS HB NTR	1	
1-6		ASSY- SPK		1	
1-7	6003-001022	SCREW-TAPTITE	M3 L12 BLK	4	
1-8	AA60-10050T	SCREW-TAPPING	M4, L20 RH, BLK	4	
1-9	AA64-02304B	CABINET-BACK	HIPS HB G4309	1	
1-10	AA61-20284A	HOLDER-CORD	PP VO BLK	1	
1-11	AA64-00892Y	INLAY-BACK	PS SHEET T0.3	1	
1-12	AA60-10050T	SCREW-TAPPING	M4, L20 RH, BLK	1	
2		ASSY-CRT		1	
2-1	AA65-00019A	CLAMP-D,COIL	NYLON V2 NTR	4	
2-2	AA60-10050V	SCREW-ASSY	M6 L31.5	4	
3		ASSY-PCB		1	

6-2 29F6



No	Code No	Description	;Specification	Q'ty	Remark
1-1	AA64-02305D	INLAY-CONTROL	PC SHEET EMBO T0.5	1	
1-2	AA64-70117B	BADGE-BRAND	AL SILVER L65	1	
1-3	AA64-02301B	CABINET-FRONT	HIPS VO BLK	1	
1-4	AA65-00011C	CLAMP-WIRE	NYLON 66 V2	1	
1-5	AA61-40113A	STOPPER-PCB	HIPS HB NTR	1	
1-6		ASSY- SPK		1	
1-7	6003-001022	SCREW-TAPTITE	M3 L12 BLK	4	
1-8	AA60-10050T	SCREW-TAPPING	M4, L20 RH, BLK	4	
1-9	AA64-02303B	CABINET-BACK	HIPS HB G4309	1	
1-10	AA61-20284A	HOLDER-CORD	PP VO BLK	1	
1-11	AA64-00892Y	INLAY-BACK	PS SHEET T0.3	1	
1-12	AA60-10050T	SCREW-TAPPING	M4, L20 RH, BLK	1	
2		ASSY-CRT		1	
2-1	AA65-00019A	CLAMP-D,COIL	NYLON V2 NTR	4	
2-2	AA60-10050V	SCREW-ASSY	M6 L31.5	4	
3		ASSY-PCB		1	

Electrical Parts List

Loc. No.	Code No.	Description ; Specification	Remark	Loc. No.	Code No.	Description ; Specification	Remark
3	R919	2001-000429	R-CARBON;1Kohm,5%,1/8W,AA,TP,1.8x3.2mm	3	SW904	3404-000244	SWITCH-TACT;15V,20MA,90-170GF,
3	R940	2001-000449	R-CARBON;2.2KOHM,5%,1/8W,AA,TP	3	SW905	3404-000244	SWITCH-TACT;15V,20MA,90-170GF,
3	R941	2001-000449	R-CARBON;2.2KOHM,5%,1/8W,AA,TP	3	SWN01	3404-000244	SWITCH-TACT;15V,20MA,90-170GF,
3	R220	2001-000472	R-CARBON;2.7KOHM,5%,1/8W,AA,TP	3	F801B	3602-000114	FUSE-HOLDER;-,-,30MOHM
3	R901	2001-000472	R-CARBON;2.7KOHM,5%,1/8W,AA,TP	3	F801A	3602-000114	FUSE-HOLDER;-,-,30MOHM
3	R903	2001-000472	R-CARBON;2.7KOHM,5%,1/8W,AA,TP	3	C507	3812-000219	WIRE-SO,COPPER;TA0.6SN/52M/M/A
3	R907	2001-000472	R-CARBON;2.7KOHM,5%,1/8W,AA,TP	3	C508	3812-000219	WIRE-SO,COPPER;TA0.6SN/52M/M/A
3	R908	2001-000472	R-CARBON;2.7KOHM,5%,1/8W,AA,TP	3	DZ804	3812-000219	WIRE-SO,COPPER;TA0.6SN/52M/M/A
3	R208	2001-000591	R-CARBON;3.3KOHM,5%,1/8W,AA,TP	3	J101	3812-000219	WIRE-SO,COPPER;TA0.6SN/52M/M/A
3	R830	2001-000734	R-CARBON;4.7KOHM,5%,1/8W,AA,TP	3	J104	3812-000219	WIRE-SO,COPPER;TA0.6SN/52M/M/A
3	R925	2001-000734	R-CARBON;4.7KOHM,5%,1/8W,AA,TP	3	J105	3812-000219	WIRE-SO,COPPER;TA0.6SN/52M/M/A
3	R701	2001-000780	R-CARBON;470ohm,5%,1/8W,AA,TP,1.8x3.2mm	3	J106	3812-000219	WIRE-SO,COPPER;TA0.6SN/52M/M/A
3	R702	2001-000780	R-CARBON;470ohm,5%,1/8W,AA,TP,1.8x3.2mm	3	J107	3812-000219	WIRE-SO,COPPER;TA0.6SN/52M/M/A
3	R927	2001-000793	R-CARBON;470HM,5%,1/8W,AA,TP,1	3	J108	3812-000219	WIRE-SO,COPPER;TA0.6SN/52M/M/A
3	R110	2001-000924	R-CARBON;680ohm,5%,1/8W,AA,TP,1.8x3.2mm	3	J109	3812-000219	WIRE-SO,COPPER;TA0.6SN/52M/M/A
3	R105	2001-000947	R-CARBON;7.5KOHM,5%,1/8W,AA,TP	3	J125	3812-000219	WIRE-SO,COPPER;TA0.6SN/52M/M/A
3	R222	2001-000947	R-CARBON;7.5KOHM,5%,1/8W,AA,TP	3	J129	3812-000219	WIRE-SO,COPPER;TA0.6SN/52M/M/A
3	R805	2001-001170	R-CARBON(S);6.8OHM,5%,1/2W,AB,	3	J131	3812-000219	WIRE-SO,COPPER;TA0.6SN/52M/M/A
3	R850	2001-001170	R-CARBON(S);6.8OHM,5%,1/2W,AB,	3	J150	3812-000219	WIRE-SO,COPPER;TA0.6SN/52M/M/A
3	R831	2001-001192	R-CARBON(S);820OHM,5%,1/2W,AB,	3	J157	3812-000219	WIRE-SO,COPPER;TA0.6SN/52M/M/A
△	RY801S	2002-001012	R-COMPOSITION;8.2MOhm,5%,1/2W,AA,TP,3.7X	3	J173	3812-000219	WIRE-SO,COPPER;TA0.6SN/52M/M/A
3	C908	2201-000573	C-CERAMIC,DISC;47PF,5%,50V,NPO	3	J175	3812-000219	WIRE-SO,COPPER;TA0.6SN/52M/M/A
3	C909	2201-000573	C-CERAMIC,DISC;47PF,5%,50V,NPO	3	J201	3812-000219	WIRE-SO,COPPER;TA0.6SN/52M/M/A
3	C408	2201-000599	C-CERAMIC,DISC;560PF,10%,500V,	3	J203	3812-000219	WIRE-SO,COPPER;TA0.6SN/52M/M/A
3	C811	2201-000599	C-CERAMIC,DISC;560PF,10%,500V,	3	J204	3812-000219	WIRE-SO,COPPER;TA0.6SN/52M/M/A
3	C105	2202-000127	C-CERAMIC,MLC-AXIAL;10NF,+80-2	3	J205	3812-000219	WIRE-SO,COPPER;TA0.6SN/52M/M/A
3	C106	2202-000127	C-CERAMIC,MLC-AXIAL;10NF,+80-2	3	J208	3812-000219	WIRE-SO,COPPER;TA0.6SN/52M/M/A
3	C111	2202-000127	C-CERAMIC,MLC-AXIAL;10NF,+80-2	3	J209	3812-000219	WIRE-SO,COPPER;TA0.6SN/52M/M/A
3	C223	2202-000796	C-CERAMIC,MLC-AXIAL;1NF,10%,50	3	J210	3812-000219	WIRE-SO,COPPER;TA0.6SN/52M/M/A
3	C224	2202-000796	C-CERAMIC,MLC-AXIAL;1NF,10%,50	3	J211	3812-000219	WIRE-SO,COPPER;TA0.6SN/52M/M/A
3	C604	2301-000192	C-FILM,PEF;1NF,5%,50V,5.3X10MM	3	J212	3812-000219	WIRE-SO,COPPER;TA0.6SN/52M/M/A
3	C609	2301-000192	C-FILM,PEF;1NF,5%,50V,5.3X10MM	3	J213	3812-000219	WIRE-SO,COPPER;TA0.6SN/52M/M/A
3	C109	2301-000224	C-FILM,PEF;22NF,5%,50V,7.4X3.9	3	J302	3812-000219	WIRE-SO,COPPER;TA0.6SN/52M/M/A
3	C804	2301-000224	C-FILM,PEF;22NF,5%,50V,7.4X3.9	3	J303	3812-000219	WIRE-SO,COPPER;TA0.6SN/52M/M/A
3	C810	2301-000224	C-FILM,PEF;22NF,5%,50V,7.4X3.9	3	J305	3812-000219	WIRE-SO,COPPER;TA0.6SN/52M/M/A
3	C805	2301-000235	C-FILM,PEF;3.9NF,5%,50V,6.5X3.0X5.5MM,5M	3	J307	3812-000219	WIRE-SO,COPPER;TA0.6SN/52M/M/A
3	C227	2301-000445	C-FILM,PEF;4.7nF,5%,50V,TP,5.5x7x3mm,5mm	3	J308	3812-000219	WIRE-SO,COPPER;TA0.6SN/52M/M/A
3	C248	2301-000445	C-FILM,PEF;4.7nF,5%,50V,TP,5.5x7x3mm,5mm	3	J312	3812-000219	WIRE-SO,COPPER;TA0.6SN/52M/M/A
3	C207	2305-000412	C-FILM,MPEF;470NF,5%,63V,-,5MM	3	J402	3812-000219	WIRE-SO,COPPER;TA0.6SN/52M/M/A
3	C911	2305-000412	C-FILM,MPEF;470NF,5%,63V,-,5MM	3	J405	3812-000219	WIRE-SO,COPPER;TA0.6SN/52M/M/A
3	C103	2305-000665	C-FILM;104J, 60V,5MM TAPING	3	J408	3812-000219	WIRE-SO,COPPER;TA0.6SN/52M/M/A
3	C208	2305-000665	C-FILM;104J, 60V,5MM TAPING	3	J420	3812-000219	WIRE-SO,COPPER;TA0.6SN/52M/M/A
3	C210	2305-000665	C-FILM;104J, 60V,5MM TAPING	3	J602	3812-000219	WIRE-SO,COPPER;TA0.6SN/52M/M/A
3	C218	2305-000665	C-FILM;104J, 60V,5MM TAPING	3	J603	3812-000219	WIRE-SO,COPPER;TA0.6SN/52M/M/A
3	C230	2305-000665	C-FILM;104J, 60V,5MM TAPING	3	J604	3812-000219	WIRE-SO,COPPER;TA0.6SN/52M/M/A
3	C803	2305-000665	C-FILM;104J, 60V,5MM TAPING	3	J701	3812-000219	WIRE-SO,COPPER;TA0.6SN/52M/M/A
3	C819	2305-000665	C-FILM;104J, 60V,5MM TAPING	3	J702	3812-000219	WIRE-SO,COPPER;TA0.6SN/52M/M/A
3	C913	2305-000665	C-FILM;104J, 60V,5MM TAPING	3	J705	3812-000219	WIRE-SO,COPPER;TA0.6SN/52M/M/A
3	C916	2305-000665	C-FILM;104J, 60V,5MM TAPING	3	J706	3812-000219	WIRE-SO,COPPER;TA0.6SN/52M/M/A
3	C920	2305-000665	C-FILM;104J, 60V,5MM TAPING	3	J707	3812-000219	WIRE-SO,COPPER;TA0.6SN/52M/M/A
3	C821	2401-000302	C-AL;100UF,20%,25V,GP,6X11MM,5	3	J711	3812-000219	WIRE-SO,COPPER;TA0.6SN/52M/M/A
3	C823	2401-000302	C-AL;100UF,20%,25V,GP,6X11MM,5	3	J715	3812-000219	WIRE-SO,COPPER;TA0.6SN/52M/M/A
3	C915	2401-000302	C-AL;100UF,20%,25V,GP,6X11MM,5	3	J716	3812-000219	WIRE-SO,COPPER;TA0.6SN/52M/M/A
3	C104	2401-000480	C-AL;10UF,20%,50V,GP,5X11MM,5M	3	J717	3812-000219	WIRE-SO,COPPER;TA0.6SN/52M/M/A
3	C203	2401-000480	C-AL;10UF,20%,50V,GP,5X11MM,5M	3	J721	3812-000219	WIRE-SO,COPPER;TA0.6SN/52M/M/A
3	C650	2401-000480	C-AL;10UF,20%,50V,GP,5X11MM,5M	3	J802	3812-000219	WIRE-SO,COPPER;TA0.6SN/52M/M/A
3	C651	2401-000480	C-AL;10UF,20%,50V,GP,5X11MM,5M	3	J803	3812-000219	WIRE-SO,COPPER;TA0.6SN/52M/M/A
3	C820	2401-000480	C-AL;10UF,20%,50V,GP,5X11MM,5M	3	J805	3812-000219	WIRE-SO,COPPER;TA0.6SN/52M/M/A
△	CR01S	2401-000480	C-AL;10UF,20%,50V,GP,5X11MM,5M	3	J806	3812-000219	WIRE-SO,COPPER;TA0.6SN/52M/M/A
△	CR02S	2401-000480	C-AL;10UF,20%,50V,GP,5X11MM,5M	3	J807	3812-000219	WIRE-SO,COPPER;TA0.6SN/52M/M/A
3	C219	2401-000603	C-AL;1UF,20%,50V,GP,5X11MM,5MM	3	J808	3812-000219	WIRE-SO,COPPER;TA0.6SN/52M/M/A
3	C601	2401-000703	C-ELEC;CE04-40/8525VT222-MWSD	3	J809	3812-000219	WIRE-SO,COPPER;TA0.6SN/52M/M/A
3	C815	2401-000703	C-ELEC;CE04-40/8525VT222-MWSD	3	J810	3812-000219	WIRE-SO,COPPER;TA0.6SN/52M/M/A
3	C802	2401-001192	C-AL;33UF,20%,50V,GP,6X11MM,5MM,TP	3	J812	3812-000219	WIRE-SO,COPPER;TA0.6SN/52M/M/A
3	L103	2701-000114	INDUCTOR-AXIAL;10UH,10%,2.5X3.	3	J813	3812-000219	WIRE-SO,COPPER;TA0.6SN/52M/M/A
3	L104	2701-000114	INDUCTOR-AXIAL;10UH,10%,2.5X3.	3	J816	3812-000219	WIRE-SO,COPPER;TA0.6SN/52M/M/A
3	L202	2701-000114	INDUCTOR-AXIAL;10UH,10%,2.5X3.	3	J817	3812-000219	WIRE-SO,COPPER;TA0.6SN/52M/M/A
3	L903	2701-000158	INDUCTOR-AXIAL;22UH,10%,2.5X3.	3	J818	3812-000219	WIRE-SO,COPPER;TA0.6SN/52M/M/A
3	L902	2701-000158	INDUCTOR-AXIAL;22UH,10%,2.5X3.	3	J820	3812-000219	WIRE-SO,COPPER;TA0.6SN/52M/M/A
3	L904	2701-000158	INDUCTOR-AXIAL;22UH,10%,2.5X3.	3	J901	3812-000219	WIRE-SO,COPPER;TA0.6SN/52M/M/A
3	L402	2901-000297	FILTER-EMI ON BOARD;-,-,3A,-,-,3.5x5,TP,-	3	J902	3812-000219	WIRE-SO,COPPER;TA0.6SN/52M/M/A
3	L403	2901-000297	FILTER-EMI ON BOARD;-,-,3A,-,-,3.5x5,TP,-	3	J903	3812-000219	WIRE-SO,COPPER;TA0.6SN/52M/M/A
3	L806	2901-000297	FILTER-EMI ON BOARD;-,-,3A,-,-,3.5x5,TP,-	3	J904	3812-000219	WIRE-SO,COPPER;TA0.6SN/52M/M/A
3	L808	2901-000297	FILTER-EMI ON BOARD;-,-,3A,-,-,3.5x5,TP,-	3	J905	3812-000219	WIRE-SO,COPPER;TA0.6SN/52M/M/A
3	SW901	3404-000244	SWITCH-TACT;15V,20MA,90-170GF,	3	JP02	3812-000219	WIRE-SO,COPPER;TA0.6SN/52M/M/A
3	SW902	3404-000244	SWITCH-TACT;15V,20MA,90-170GF,	△	JR001S	3812-000219	WIRE-SO,COPPER;TA0.6SN/52M/M/A
3	SW903	3404-000244	SWITCH-TACT;15V,20MA,90-170GF,	3	L702	3812-000219	WIRE-SO,COPPER;TA0.6SN/52M/M/A

Loc. No.	Code No.	Description ; Specification	Remark
2	CB+RCA	6003-001026	SCREW-TAPTITE;RH,+,B,M4,L15,ZPC(BLK),SWR
2	AC+BC	AA65-30008A	CLAMP-CORD;-,PE,HB,BLK,-,-
2	L/RAT	AA68-02298A	LABEL RATING;TROJAN,ART PAPER ,60X,90MM,
2	L/BOX	AA68-01542A	LABEL;(UNIBOX),PAPER WHT ALLMD
2	PE-BAG	AA69-01194A	BAG PE;CT566BVX,25-27COM,W52",H60",
2	C/SET	AA69-01465A	CUSHION-SET;TROJAN 27V,PS,C=0.02
2	STAPLE	AA60-40006A	PIN-STAPLE;-, -,H18,33X17.8X2
2	BX-TAP	Q203-001295	TAPE-OPP MASKING;1242,T0.06,W100,L91.4M,
2	INL/BA	AA64-00144C	INLAY-BACK;PS SHEET,29F6,T0.5,K15C S/T D
2	DRESFB	AA65-30018A	CLAMP-WIRE;-,NYLON6.6,-,-,DATL
2	PCK	AA69-01485B	PACKING CASE;29F6,D-2 BB,YEL,JUNGNAMI TR
2	L/SET	AA68-01383A	LABEL-CAUTION;ART-PAPER,(SAM)A63Q
2	L/STAR	AA68-01557A	LABEL ENERGY;STAR,STATIC FREE FILM

ASSY-CABINET,FRONT

1	A/FRNT	AA92-02600A	ASSY-CABINET,FRONT;TXM2756X/XAA,K15C
2	STOPPE	AA61-40113A	STOPPER-PCB;-,ABS,HB,NTR.
2	D-COIL	AA27-00219A	COIL DEGAUSSING;25T,1.50HM,25INCH,110V,
2	CRT+CF	AA60-10050V	SCREW-ASSY;WC,HH,+,M6,L30,SWRCH18A,ZPC(S
2	BADGE	AA64-70117B	BADGE-BRAND;AL,SS,R2000,25,SILVER CT-633
2	SPK	3001-001262	SPEAKER;3W,80HM,87DB,280HZ
2	L/SPK	AA39-20505M	LEAD-CONNECTOR;SY4XREC,R700/L350
2	SPK+CF	AA60-10008A	SCREW-TAPPING;-,TH,+,M3,L10,ZP
2	DRESPK	AA65-30018A	CLAMP-WIRE;-,NYLON6.6,-,-,DATL
2	L/QMS	AA68-01554A	LABEL;QMS,UARCOWHITEPAPER#1343
2	C/F	AA64-02302A	CABINET-FRONT;TROJAN 25V,HIPS,VO,BLK
3	INL/CT	AA64-02306A	INLAY-CONTROL;TROJAN 25V,PC SHEET VO,T0.
2	SPACER	AA60-00038A	SPACER-CRT;PS SHEET,T1.0,BLK,OD22,ID10.
2	C/DCOI	AA65-00019A	CLAMP CORE-D,COIL;25-34,NYLON 66,V2,NTR
2	L/IND	AA68-00524A	LABEL-INDICATOR;A/P 90(G),CXJ1352X/XAA,U
2	CWFC	AA65-30105A	CLAMP-WIRE;NYLON 66N,VO,NTR,15MM

Loc. No.	Code No.	Description ; Specification	Remark
		ASSY-CRT	
△ 1	A/CRT	AA94-03710A	ASSY-CRT;TCE,A68ADT25X01,+380mG,29
2	CRT	AA03-10026A	CRT-COLOR;A68ADT25X01,+380MG,29,111DE
2	L/DY	AA39-20568A	LEAD CONNECTOR ASSY;YFHS06-06,S,6(4)P

ASSY TBC WIRE(P)

1	A/TBC	AA98-70002E	ASSY TBC WIRE(P);-,29INCH,NTSC,1P,29F6(T
---	-------	-------------	--

ASSY-ACCESSORY

1	A/ACCS	AA97-01859A	ASSY-ACCESSORY;TXM2556X/XAA,K15C
2	BAG-PE	AA69-01195A	BAG PE;CL29A6W8X,HDPET0.012,93/4X151
2	T/REG	AA68-01561A	CARD WARRANTY;BLOCK,STATEMENT ONLY,SEA/S
2	W/CARD	AA68-01433A	CARD WARRANTY;TV/TVCR,ALL,W/P100(G),B5,
2	I/B	AA68-02283A	MANUAL USERS;-,ENG,W/P100(G),B5,20PAGE,K1

REMOCON

1	RMT	AA59-10113H	REMOCON;DPTM59,-,-,-,-,AA59-10110H,
---	-----	-------------	-------------------------------------

Loc. No.	Code No.	Description ; Specification	Remark
----------	----------	-----------------------------	--------

2	DRESFB	AA65-30018A	CLAMP-WIRE;-NYLON6.6,-,-,DATL
2	L/SET	AA68-01383A	LABEL-CAUTION;ART-PAPER,(SAM)A63Q
2	L/STAR	AA68-01557A	LABEL ENERGY;STAR,STATIC FREE FILM

ASSY CABINET FRONT

1	A/FRON	AA92-02599A	ASSY CABINET FRONT;TXM2556X
2	STOPPE	AA61-40113A	STOPPER-PCB;-ABS,HB,NTR.
2	D-COIL	AA27-00219A	COIL DEGAUSSING;25T,1.50HM,25INCH,110V,
2	CRT+CF	AA60-10050V	SCREW-ASSY;VC,HH,+,M6,L30,SWRCH18A,ZPC(S
2	BADGE	AA64-70117B	BADGE-BRAND;AL,SS,R2000,25,SILVER CT-633
2	SPK	3001-001262	SPEAKER;3W,80HM,87DB,280HZ
2	L/SPK	AA39-20505M	LEAD-CONNECTOR;SY4XREC,R700/L350
2	SPK+CF	AA60-10008A	SCREW-TAPPING;-TH,+,M3,L10,ZP
2	DRESPK	AA65-30018A	CLAMP-WIRE;-NYLON6.6,-,-,DATL
2	L/QMS	AA68-01554A	LABEL;QMS,UARCOWHITEPAPER#1343
2	C/F	AA64-02302A	CABINET-FRONT;TROJAN 25V,HIPS,VO,BLK
3	INL/CT	AA64-02306A	INLAY-CONTROL;TROJAN 25V,PC SHEET VO,TO.
2	SPACER	AA60-00038A	SPACER-CRT;PS,SHEET,T1.0,BLK,OD22,ID10.
2	CDCOI	AA65-00019A	CLAMP CORE-D,COIL;25-34,NYLON 66,V2,NTR
2	L/IND	AA68-00524A	LABEL-INDICATOR;A/P 90(G),CXJ1352X/XAA,U
2	CWFC	AA65-30105A	CLAMP-WIRE;NYLON 66N,VO,NTR,15MM

ASSY-CRT

△	1	A/CRT	AA97-50012R	ASSY-CRT;A63AHC26X(THOMSON)
2	CRT	AA03-00019A	CRT-COLOR;-A63AHC26X,+300MG,-,100DEG,38	
2	D-Y	AA27-50004C	DEFLECTION-YOKE;SEMSA,DSE-2602CL,25V	
2	TAPE	0203-000432	TAPE-ACETATE;ACETATETO.25W19WH	
2	SPACER	AA63-60028A	SPACER-DY;-NEOPRENE,-,BLK,V0W	
2	C-Y	AA27-00002A	MAGNET-CONVERGENCE;JH291-SC-OB,29.1M	

Loc. No.	Code No.	Description ; Specification	Remark
----------	----------	-----------------------------	--------

ASSY TBC WIRE(P)

1	A/TBC	AA98-70002D	ASSY TBC WIRE(P);-,25INCH,NTSC,1P,25F6(T
---	-------	-------------	--

ASSY-ACCESSORY

1	A/ACCS	AA97-01859A	ASSY-ACCESSORY;TXM2556X/XAA,K15C
2	BAG-PE	AA69-01195A	BAG PE;CL29A6W8X,HDPETO.012,93/4X151
2	T/REG	AA68-01561A	CARD WARRANTY;BLOCK,STATEMENT ONLY,SEA/S
2	W/CARD	AA68-01433A	CARD WARRANTY;TV/TVCR,ALL,W/P100(G),B5,
2	I/B	AA68-02283A	MANUAL USERS;ENG,W/P100(G),B5,20PAGE,K1

REMOCON

1	RMT	AA59-10113H	REMOCON;DP,TM59,-,-,-,-,AA59-10110H,
---	-----	-------------	--------------------------------------

Loc. No.	Code No.	Description ; Specification	Remark
2	SPK+CF	AA60-10008A	SCREW-TAPPING;- ,TH,+ ,M3,L10,ZP
2	L/QMS	AA68-01554A	LABEL;QMS,UARCOWHITEPAPER#1343
2	SPACER	AA60-00038A	SPACER-CRT;PS,SHEET,T1.0,BLK,OD22,ID10.
2	C/DCCI	AA65-00019A	CLAMP CORE-D,COIL;25-34,NYLON 66,V2,NTR

ASSY-CRT

△	1	A/CRT	AA94-03710A	ASSY-CRT;TCE,A68ADT25X01,+380mG,29
	2	CRT	AA03-10026A	CRT-COLOR;A68ADT25X01,+380MG,29,111DE
	2	L/DY	AA39-20568A	LEAD CONNECTOR ASSY;YFHS06-06,S,6(4)P

ASSY TBC WIRE(P)

	1	A/TBC	AA98-70002E	ASSY TBC WIRE(P);- ,29INCH,NTSC,1P,29F6(T
--	---	-------	-------------	---

Loc. No.	Code No.	Description ; Specification	Remark
1	A/ACCS	AA97-01858A	ASSY-ACCESSORY;K15C,CT26F6,29F6SWX/XAP

ASSY-ACCESSORY

2	C/WARR	AA68-00987A	CARD WARRANTY;- ,W/P100,- ,-, -,A4,1P
2	BAG-PE	AA69-01195A	BAG PE;CL29A6W8X,HDPETO.012,93/4X151
2	I/B	AA68-02277A	MANUAL USERS;ENG,W/P100(G),B5,16PAGE,K1
2	I/B2	AA68-02278A	MANUAL USERS;SPA,W/P100(G),B5,16PAGE,K1
2	BATT	4301-000120	BATTERY-MN;1.5V,- ,AA

REMOCON

1	RMT	AA59-10113H	REMOCON;DPTM59,- ,-, -, -,AA59-10110H,
---	-----	-------------	--

Loc. No.	Code No.	Description ; Specification	Remark	Loc. No.	Code No.	Description ; Specification	Remark
3	R927	2001-000793	R-CARBON;470HM,5%,1/8W,AA,TP,1	3	J108	3812-000219	WIRE-SO,COPPER;TAO.6SN/52M/M/A
3	R110	2001-000924	R-CARBON;680ohm,5%,1/8W,AA,TP,1.8x3.2mm	3	J109	3812-000219	WIRE-SO,COPPER;TAO.6SN/52M/M/A
3	R105	2001-000947	R-CARBON;7.5KOHM,5%,1/8W,AA,TP	3	J125	3812-000219	WIRE-SO,COPPER;TAO.6SN/52M/M/A
3	R222	2001-000947	R-CARBON;7.5KOHM,5%,1/8W,AA,TP	3	J129	3812-000219	WIRE-SO,COPPER;TAO.6SN/52M/M/A
3	R805	2001-001170	R-CARBON(S);6.80HM,5%,1/2W,AB,	3	J131	3812-000219	WIRE-SO,COPPER;TAO.6SN/52M/M/A
3	R850	2001-001170	R-CARBON(S);6.80HM,5%,1/2W,AB,	3	J150	3812-000219	WIRE-SO,COPPER;TAO.6SN/52M/M/A
3	R831	2001-001192	R-CARBON(S);8200HM,5%,1/2W,AB,	3	J157	3812-000219	WIRE-SO,COPPER;TAO.6SN/52M/M/A
△	RY801S	2002-001012	R-COMPOSITION;8.2MOMhm,5%,1/2W,AA,TP,3.7X	3	J173	3812-000219	WIRE-SO,COPPER;TAO.6SN/52M/M/A
3	R302	2004-004366	R-METAL(S);1.3Kohm,1%,1/2W,AA,TP,2.5x6.5	3	J175	3812-000219	WIRE-SO,COPPER;TAO.6SN/52M/M/A
3	R306	2004-004366	R-METAL(S);1.3Kohm,1%,1/2W,AA,TP,2.5x6.5	3	J201	3812-000219	WIRE-SO,COPPER;TAO.6SN/52M/M/A
3	C908	2201-000573	C-CERAMIC,DISC;47PF,5%,50V,NPO	3	J203	3812-000219	WIRE-SO,COPPER;TAO.6SN/52M/M/A
3	C909	2201-000573	C-CERAMIC,DISC;47PF,5%,50V,NPO	3	J205	3812-000219	WIRE-SO,COPPER;TAO.6SN/52M/M/A
3	C408	2201-000599	C-CERAMIC,DISC;560PF,10%,500V,	3	J208	3812-000219	WIRE-SO,COPPER;TAO.6SN/52M/M/A
3	C811	2201-000599	C-CERAMIC,DISC;560PF,10%,500V,	3	J209	3812-000219	WIRE-SO,COPPER;TAO.6SN/52M/M/A
3	C105	2202-000127	C-CERAMIC,MLC-AXIAL;10NF,+80-2	3	J210	3812-000219	WIRE-SO,COPPER;TAO.6SN/52M/M/A
3	C106	2202-000127	C-CERAMIC,MLC-AXIAL;10NF,+80-2	3	J211	3812-000219	WIRE-SO,COPPER;TAO.6SN/52M/M/A
3	C111	2202-000127	C-CERAMIC,MLC-AXIAL;10NF,+80-2	3	J212	3812-000219	WIRE-SO,COPPER;TAO.6SN/52M/M/A
3	C223	2202-000796	C-CERAMIC,MLC-AXIAL;1NF,10%,50	3	J213	3812-000219	WIRE-SO,COPPER;TAO.6SN/52M/M/A
3	C224	2202-000796	C-CERAMIC,MLC-AXIAL;1NF,10%,50	3	J301	3812-000219	WIRE-SO,COPPER;TAO.6SN/52M/M/A
3	C604	2301-000192	C-FILM,PEF;1NF,5%,50V,5.3X10MM	3	J304	3812-000219	WIRE-SO,COPPER;TAO.6SN/52M/M/A
3	C609	2301-000192	C-FILM,PEF;1NF,5%,50V,5.3X10MM	3	J305	3812-000219	WIRE-SO,COPPER;TAO.6SN/52M/M/A
3	C109	2301-000224	C-FILM,PEF;22NF,5%,50V,7.4X3.9	3	J307	3812-000219	WIRE-SO,COPPER;TAO.6SN/52M/M/A
3	C804	2301-000224	C-FILM,PEF;22NF,5%,50V,7.4X3.9	3	J308	3812-000219	WIRE-SO,COPPER;TAO.6SN/52M/M/A
3	C810	2301-000224	C-FILM,PEF;22NF,5%,50V,7.4X3.9	3	J312	3812-000219	WIRE-SO,COPPER;TAO.6SN/52M/M/A
3	C805	2301-000235	C-FILM,PEF;3.9NF,5%,50V,6.5X3.0X5.5MM,5M	3	J402	3812-000219	WIRE-SO,COPPER;TAO.6SN/52M/M/A
3	C227	2301-000445	C-FILM,PEF;4.7nF,5%,50V,TP,5.5x7x3mm,5mm	3	J405	3812-000219	WIRE-SO,COPPER;TAO.6SN/52M/M/A
3	C248	2301-000445	C-FILM,PEF;4.7nF,5%,50V,TP,5.5x7x3mm,5mm	3	J408	3812-000219	WIRE-SO,COPPER;TAO.6SN/52M/M/A
3	C207	2305-000412	C-FILM,MPEF;470NF,5%,63V,-,5MM	3	J420	3812-000219	WIRE-SO,COPPER;TAO.6SN/52M/M/A
3	C911	2305-000412	C-FILM,MPEF;470NF,5%,63V,-,5MM	3	J601	3812-000219	WIRE-SO,COPPER;TAO.6SN/52M/M/A
3	C103	2305-000665	C-FILM;104J, 60V,5MM TAPING	3	J602	3812-000219	WIRE-SO,COPPER;TAO.6SN/52M/M/A
3	C208	2305-000665	C-FILM;104J, 60V,5MM TAPING	3	J603	3812-000219	WIRE-SO,COPPER;TAO.6SN/52M/M/A
3	C210	2305-000665	C-FILM;104J, 60V,5MM TAPING	3	J604	3812-000219	WIRE-SO,COPPER;TAO.6SN/52M/M/A
3	C218	2305-000665	C-FILM;104J, 60V,5MM TAPING	3	J705	3812-000219	WIRE-SO,COPPER;TAO.6SN/52M/M/A
3	C230	2305-000665	C-FILM;104J, 60V,5MM TAPING	3	J706	3812-000219	WIRE-SO,COPPER;TAO.6SN/52M/M/A
3	C803	2305-000665	C-FILM;104J, 60V,5MM TAPING	3	J715	3812-000219	WIRE-SO,COPPER;TAO.6SN/52M/M/A
3	C819	2305-000665	C-FILM;104J, 60V,5MM TAPING	3	J716	3812-000219	WIRE-SO,COPPER;TAO.6SN/52M/M/A
3	C913	2305-000665	C-FILM;104J, 60V,5MM TAPING	3	J717	3812-000219	WIRE-SO,COPPER;TAO.6SN/52M/M/A
3	C916	2305-000665	C-FILM;104J, 60V,5MM TAPING	3	J721	3812-000219	WIRE-SO,COPPER;TAO.6SN/52M/M/A
3	C920	2305-000665	C-FILM;104J, 60V,5MM TAPING	3	J802	3812-000219	WIRE-SO,COPPER;TAO.6SN/52M/M/A
3	C821	2401-000302	C-AL;100UF,20%,25V,GP,6X11MM,5	3	J803	3812-000219	WIRE-SO,COPPER;TAO.6SN/52M/M/A
3	C823	2401-000302	C-AL;100UF,20%,25V,GP,6X11MM,5	3	J805	3812-000219	WIRE-SO,COPPER;TAO.6SN/52M/M/A
3	C915	2401-000302	C-AL;100UF,20%,25V,GP,6X11MM,5	3	J806	3812-000219	WIRE-SO,COPPER;TAO.6SN/52M/M/A
3	C104	2401-000480	C-AL;10UF,20%,50V,GP,5X11MM,5M	3	J807	3812-000219	WIRE-SO,COPPER;TAO.6SN/52M/M/A
3	C203	2401-000480	C-AL;10UF,20%,50V,GP,5X11MM,5M	3	J808	3812-000219	WIRE-SO,COPPER;TAO.6SN/52M/M/A
3	C650	2401-000480	C-AL;10UF,20%,50V,GP,5X11MM,5M	3	J809	3812-000219	WIRE-SO,COPPER;TAO.6SN/52M/M/A
3	C651	2401-000480	C-AL;10UF,20%,50V,GP,5X11MM,5M	3	J810	3812-000219	WIRE-SO,COPPER;TAO.6SN/52M/M/A
3	C820	2401-000480	C-AL;10UF,20%,50V,GP,5X11MM,5M	3	J812	3812-000219	WIRE-SO,COPPER;TAO.6SN/52M/M/A
3	C219	2401-000603	C-AL;1UF,20%,50V,GP,5X11MM,5MM	3	J813	3812-000219	WIRE-SO,COPPER;TAO.6SN/52M/M/A
3	C601	2401-000703	C-ELEC;CE04-40/8525VT222-MWSD	3	J816	3812-000219	WIRE-SO,COPPER;TAO.6SN/52M/M/A
3	C815	2401-000703	C-ELEC;CE04-40/8525VT222-MWSD	3	J818	3812-000219	WIRE-SO,COPPER;TAO.6SN/52M/M/A
3	C802	2401-001192	C-AL;33UF,20%,50V,GP,6X11MM,5MM,TP	3	J820	3812-000219	WIRE-SO,COPPER;TAO.6SN/52M/M/A
3	L103	2701-000114	INDUCTOR-AXIAL;10UH,10%,2.5X3.	3	J901	3812-000219	WIRE-SO,COPPER;TAO.6SN/52M/M/A
3	L104	2701-000114	INDUCTOR-AXIAL;10UH,10%,2.5X3.	3	J902	3812-000219	WIRE-SO,COPPER;TAO.6SN/52M/M/A
3	L202	2701-000114	INDUCTOR-AXIAL;10UH,10%,2.5X3.	3	J903	3812-000219	WIRE-SO,COPPER;TAO.6SN/52M/M/A
3	L902	2701-000158	INDUCTOR-AXIAL;22UH,10%,2.5X3.	3	J904	3812-000219	WIRE-SO,COPPER;TAO.6SN/52M/M/A
3	L903	2701-000158	INDUCTOR-AXIAL;22UH,10%,2.5X3.	3	J905	3812-000219	WIRE-SO,COPPER;TAO.6SN/52M/M/A
3	L904	2701-000158	INDUCTOR-AXIAL;22UH,10%,2.5X3.	3	J902	3812-000219	WIRE-SO,COPPER;TAO.6SN/52M/M/A
3	L402	2901-000297	FILTER-EMI ON BOARD;-;3A,-,-,3.5x5,TP,-	3	L703	3812-000219	WIRE-SO,COPPER;TAO.6SN/52M/M/A
△	L403	2901-000297	FILTER-EMI ON BOARD;-;3A,-,-,3.5x5,TP,-	3	R405	3812-000219	WIRE-SO,COPPER;TAO.6SN/52M/M/A
3	L806	2901-000297	FILTER-EMI ON BOARD;-;3A,-,-,3.5x5,TP,-	3	R507	3812-000219	WIRE-SO,COPPER;TAO.6SN/52M/M/A
3	L808	2901-000297	FILTER-EMI ON BOARD;-;3A,-,-,3.5x5,TP,-	3	R508	3812-000219	WIRE-SO,COPPER;TAO.6SN/52M/M/A
3	SW901	3404-000244	SWITCH-TACT;15V,20MA,90-170GF,	3	R509	3812-000219	WIRE-SO,COPPER;TAO.6SN/52M/M/A
3	SW902	3404-000244	SWITCH-TACT;15V,20MA,90-170GF,	3	L704	3812-000219	WIRE-SO,COPPER;TAO.6SN/52M/M/A
3	SW903	3404-000244	SWITCH-TACT;15V,20MA,90-170GF,	3	J608	3812-000219	WIRE-SO,COPPER;TAO.6SN/52M/M/A
3	SW904	3404-000244	SWITCH-TACT;15V,20MA,90-170GF,	3	J607	3812-000219	WIRE-SO,COPPER;TAO.6SN/52M/M/A
3	SW905	3404-000244	SWITCH-TACT;15V,20MA,90-170GF,	3	J218	3812-000219	WIRE-SO,COPPER;TAO.6SN/52M/M/A
3	SWN01	3404-000244	SWITCH-TACT;15V,20MA,90-170GF,	3	J214	3812-000219	WIRE-SO,COPPER;TAO.6SN/52M/M/A
3	F801B	3602-000114	FUSE-HOLDER;-;30MOHM	3	J821	3812-000219	WIRE-SO,COPPER;TAO.6SN/52M/M/A
3	F801A	3602-000114	FUSE-HOLDER;-;30MOHM	3	J423	3812-000219	WIRE-SO,COPPER;TAO.6SN/52M/M/A
3	C507	3812-000219	WIRE-SO,COPPER;TAO.6SN/52M/M/A	3	J409	3812-000219	WIRE-SO,COPPER;TAO.6SN/52M/M/A
3	C508	3812-000219	WIRE-SO,COPPER;TAO.6SN/52M/M/A	3	R601	3812-000219	WIRE-SO,COPPER;TAO.6SN/52M/M/A
3	DZ804	3812-000219	WIRE-SO,COPPER;TAO.6SN/52M/M/A	3	J217	3812-000219	WIRE-SO,COPPER;TAO.6SN/52M/M/A
3	J101	3812-000219	WIRE-SO,COPPER;TAO.6SN/52M/M/A	3	J712	3812-000219	WIRE-SO,COPPER;TAO.6SN/52M/M/A
3	J104	3812-000219	WIRE-SO,COPPER;TAO.6SN/52M/M/A	3	J814	3812-000219	WIRE-SO,COPPER;TAO.6SN/52M/M/A
3	J105	3812-000219	WIRE-SO,COPPER;TAO.6SN/52M/M/A	3	R422	3812-000219	WIRE-SO,COPPER;TAO.6SN/52M/M/A
3	J106	3812-000219	WIRE-SO,COPPER;TAO.6SN/52M/M/A	3	J817	3812-000219	WIRE-SO,COPPER;TAO.6SN/52M/M/A
3	J107	3812-000219	WIRE-SO,COPPER;TAO.6SN/52M/M/A	3	J823	3812-000219	WIRE-SO,COPPER;TAO.6SN/52M/M/A

Electrical Parts List

Loc. No.	Code No.	Description ; Specification	Remark
2	F/C	AA64-02302B	CABINET-FRONT;26F6,HIPS,HB,G4309,SV704P
3	INL/CT	AA64-02306C	INLAY-CONTROL;25F6,PC SHEET V0,T0.5,CLR,
2	SPACER	AA60-00038A	SPACER-CRT;PS,SHEET,T1.0,BLK,0D22.ID10.
2	CDCOI	AA65-00019A	CLAMP CORE-D,COIL;25-34,NYLON 66,V2,NTR

ASSY-CRT

△ 1	A/CRT	AA97-50012R	ASSY-CRT;A63AHC26X(THOMSON)
2	CRT	AA03-00019A	CRT-COLOR;-;A63AHC26X,+300MG,-;100DEG,38
2	D-Y	AA27-50004C	DEFLECTION-YOKE;SEMSA,DSE-2602CL,25V
2	TAPE	Q203-000432	TAPE-ACETATE;ACETATETO.25W19WH
2	SPACER	AA63-60028A	SPACER-DY;-;NEOPRENE,-;BLK,V0W
2	C-Y	AA27-00002A	MAGNET-CONVERGENCE;JH291-SC-OB,29.1M

ASSY TBC WIRE(P)

1	A/TBC	AA98-70002D	ASSY TBC WIRE(P);-;25INCH,NTSC,1P,25F6(T
---	-------	-------------	--

Loc. No.	Code No.	Description ; Specification	Remark
----------	----------	-----------------------------	--------

ASSY-ACCESSORY

1	A/ACCS	AA97-01858A	ASSY-ACCESSORY;K15C,CT26F6,29F6SWX/XAP
2	C/WARR	AA68-00987A	CARD WARRANTY;-;W/P100,-;---;A4,1P
2	BAG-PE	AA69-01195A	BAG PE;CL29A6W8X,HDPETO.012,93/4X151
2	I/B	AA68-02277A	MANUAL USERS;ENG,W/P100(G),B5,16PAGE,K1
2	I/B2	AA68-02278A	MANUAL USERS;SPA,W/P100(G),B5,16PAGE,K1
2	BATT	4301-000120	BATTERY-MN;1.5V;-;AA

REMOCON

1	RMT	AA59-10113H	REMOCON;DP,TM59,-;---;AA59-10110H,
---	-----	-------------	------------------------------------

7-5 CT29F6SWX/XAP

Loc. No.	Code No.	Description ; Specification	Remark	Loc. No.	Code No.	Description ; Specification	Remark
ASSY-PCB,MAIN(COM)				△ 3	D811	0401-000005	DIODE:1N4148,100V,300mA,,1V,8nS,TAPING
1	A/MAIN	AA94-05954A	ASSY-PCB,MAIN(COM);K15C,CT29F6SWX/XAP	△ 3	D801S	0402-001111	DIODE-RECTIFIER;1N5397GP;600V,1.5A,DO-20
△ 2	PC801S	0604-001032	PHOTO-COUPLER;TR,170-260%,300M	△ 3	D802S	0402-001111	DIODE-RECTIFIER;1N5397GP;600V,1.5A,DO-20
2	C801	2401-002251	C-ELECTROLYTIC;CE04W200V470M(Z	△ 3	D803S	0402-001111	DIODE-RECTIFIER;1N5397GP;600V,1.5A,DO-20
△ 2	FP801S	3601-000281	FUSE-FERRULE; 250V,4A	△ 3	D804S	0402-001111	DIODE-RECTIFIER;1N5397GP;600V,1.5A,DO-20
△ 2	V999S	3704-001105	SOCKET-CRT;11P,20PI,26.5PI,NL,-	3	D302	0402-000540	DIODE-RECTIFIER;RU20A,600V,1.5
△ 2	T401	AA26-50001M	HORIZ.DRIVE;-;80MH,520UH,4UH,E	△ 3	D805	0402-000540	DIODE-RECTIFIER;RU20A,600V,1.5
△ 2	LX801S	AA29-30002F	FILTER-LINENOISE;-;6MH,2.45A,-	3	D504	0402-001105	DIODE-RECTIFIER;ERB43-04SV1,40
△ 2	L/PQS	AA68-01018A	LABEL-PQS;-;50mmX,13,-,WHITE,-	3	D502	0402-001105	DIODE-RECTIFIER;ERB43-04SV1,40
△ 2	NT801S	1404-001045	THERMISTOR NTC;4.7OHM,15%,2900K,35.0MW,T	3	D503	0402-001105	DIODE-RECTIFIER;ERB43-04SV1,40
△ 2	SF102S	2904-001255	FILTER-SAWAV;M9261M45.75MHz,SIP5K,12.2dB	△ 3	D812	0402-001105	DIODE-RECTIFIER;ERB43-04SV1,40
2	CN601	3711-002643	POST-HEADER;YV025-04(AUTO)	3	DZ802	0403-001318	DIODE-ZENER;MTZJ4.3B,4.17-4.43V,500mW,DO
2	IC101	1204-000506	IC-LINEAR;LA7510SIP9P	3	DZ105	0403-000508	DIODE-ZENER;MTZJ5.6B,5.6V,5.45-5.73V,500
2	IC902	1103-001209	IC-EEPROM;AT24C04-PC27,C,512Kx8Bit,DIP,8	3	DZ401	0403-000508	DIODE-ZENER;MTZJ5.6B,5.6V,5.45-5.73V,500
△ 2	CX801S	2306-000318	C-FILM,MPPF;220NF,20%,250V,-,2	3	DZ811	0403-000508	DIODE-ZENER;MTZJ5.6B,5.6V,5.45-5.73V,500
2	A/SUBM	AA97-01633A	ASSY-SUB MATERIAL;SOLVENTES Y SOLDADURAS	3	DZ901	0403-000508	DIODE-ZENER;MTZJ5.6B,5.6V,5.45-5.73V,500
3		0204-000442	SOLVENT;CH3-CH5H-CH396%IM-1000	3	DZ903	0403-000508	DIODE-ZENER;MTZJ5.6B,5.6V,5.45-5.73V,500
3		0202-000008	SOLDER-WIRE;S63S-D3.0,S63A,D3,63/37	3	DZ904	0403-000508	DIODE-ZENER;MTZJ5.6B,5.6V,5.45-5.73V,500
3		0204-001024	FLUX;DF-96TVS,-,20%,,-	3	DZ905	0403-000508	DIODE-ZENER;MTZJ5.6B,5.6V,5.45-5.73V,500
3		0202-000187	SOLDER-WIREFLUX;-;RS60S,D1.2,6	3	DZ211	0403-000508	DIODE-ZENER;MTZJ5.6B,5.6V,5.45-5.73V,500
△ 2	D807	0402-001375	DIODE-RECTIFIER;FFPF10U20S,200V,10A,TO-2	3	DZ806	0403-000508	DIODE-ZENER;MTZJ5.6B,5.6V,5.45-5.73V,500
2	IC501	AA96-50311A	ASSY-H/S;-;VIDEO,AA62-30175D,TDA6107Q,-	3	DZ205	0403-000720	DIODE-ZENER;MTZJ9.1B,9.1V,8.57-9.01V,500
3		6003-000334	SCREW-TAPTITE;RH,+,2S,M3,L6,ZP	3	DZ306	0403-000720	DIODE-ZENER;MTZJ9.1B,9.1V,8.57-9.01V,500
3		AA62-30175D	HEATSINK-PS;-;SECC,T1.0,-,33X15X30FT-2	3	DZ307	0403-000720	DIODE-ZENER;MTZJ9.1B,9.1V,8.57-9.01V,500
3		1201-001159	ICVIDEOAMP;TDA6107Q,ZIP,9P;300	3	DZ501	0403-000720	DIODE-ZENER;MTZJ9.1B,9.1V,8.57-9.01V,500
△ 2	CY801S	2201-002002	C-CERAMIC,DISC;4700PF,20%,400V	3	DZ502	0403-000720	DIODE-ZENER;MTZJ9.1B,9.1V,8.57-9.01V,500
△ 2	IC802	AA96-00245A	ASSY H/S;-;AA62-00055A,KA7632,-	3	DZ503	0403-000720	DIODE-ZENER;MTZJ9.1B,9.1V,8.57-9.01V,500
3		1203-001939	IC-POSI.FIXED REG.;7632,SIP,10P,-,PLASTI	3	DZ504	0403-000720	DIODE-ZENER;MTZJ9.1B,9.1V,8.57-9.01V,500
3		6003-000334	SCREW-TAPTITE;RH,+,2S,M3,L6,ZP	3	DZ808	0403-000720	DIODE-ZENER;MTZJ9.1B,9.1V,8.57-9.01V,500
3		AA62-00055A	HEAT SINK-PS;-;T1.0,-,35*15*25,D1,-,-,	3	R808	2001-000109	R-CARBON(S);470OHM,5%,1/2W,AA
2	IC301	AA96-00244F	ASSY H/S;-;VERTICAL,AA62-00046A,LA7841,	3	R107	2001-000281	R-CARBON;100OHM,5%,1/8W,AA,TP
3		0205-000129	GREASE-SILICON;SC102,JAPAN	3	R211	2001-000281	R-CARBON;100OHM,5%,1/8W,AA,TP
3		1204-001807	IC-VERTICAL PROCESSO;LA7841,SIP,7P,708MI	3	R223	2001-000281	R-CARBON;100OHM,5%,1/8W,AA,TP
3		6003-000335	SCREW-TAPTITE;RH,+,2S,M3,L8,ZPC(YEL),SWR	3	R501	2001-000281	R-CARBON;100OHM,5%,1/8W,AA,TP
3		AA62-00064A	HEAT SINK-PS;DP,-,-,AA62-00046A,-,-,-,	3	R502	2001-000281	R-CARBON;100OHM,5%,1/8W,AA,TP
2	Q401	AA96-00817A	ASSY H/S;-;HORIZONTAL,AA62-00113A,KSC580	3	R506	2001-000281	R-CARBON;100OHM,5%,1/8W,AA,TP
3		0205-000129	GREASE-SILICON;SC102,JAPAN	3	R510	2001-000281	R-CARBON;100OHM,5%,1/8W,AA,TP
3		0502-001191	TR-POWER;KSC5802D,NPN,60000mW,TO-3P,ST,	3	R511	2001-000281	R-CARBON;100OHM,5%,1/8W,AA,TP
3		6003-000333	SCREW-TAPTITE;RH,+,2S,M3,L10,ZPC(YEL),SW	3	R512	2001-000281	R-CARBON;100OHM,5%,1/8W,AA,TP
3		AA60-30001A	WASHER-PLATE;-;M3,ID3.5,15X8.5,T1.0,-,SB	3	R911	2001-000281	R-CARBON;100OHM,5%,1/8W,AA,TP
3		AA62-00113A	HEAT SINK;BH62-00041A,A1050S,T1.0,W23.0,	3	R912	2001-000281	R-CARBON;100OHM,5%,1/8W,AA,TP
△ 2	CR409S	2306-000328	C-FILM,MPPF;6.8nF,5%,1.6kV,TP28.5x18x1	3	R913	2001-000281	R-CARBON;100OHM,5%,1/8W,AA,TP
2	PWR/AC	AA96-20129C	ASSY-POWER,CORD;-;EP2/YES,H/C200,ME301P,	3	R914	2001-000281	R-CARBON;100OHM,5%,1/8W,AA,TP
3		AA39-10007Y	POWER-CORD;-;EP2/YES,SPT-2 18AWGx2C,2.4m	3	R917	2001-000281	R-CARBON;100OHM,5%,1/8W,AA,TP
3		AA61-20284A	HOLDER P CORD;PP,VO,BLK,KE-002	3	R933	2001-000281	R-CARBON;100OHM,5%,1/8W,AA,TP
△ 2	IC801S	AA96-00815A	ASSY H/S;-;POWER,AA62-00111A,5Q0740RT,TR	3	R934	2001-000281	R-CARBON;100OHM,5%,1/8W,AA,TP
3		0205-000129	GREASE-SILICON;SC102,JAPAN	3	R942	2001-000281	R-CARBON;100OHM,5%,1/8W,AA,TP
3		1203-002466	IC-PWM CONTROLLER;KA5Q0740RT,TO220F-5L,5	3	R943	2001-000281	R-CARBON;100OHM,5%,1/8W,AA,TP
3		6003-000335	SCREW-TAPTITE;RH,+,2S,M3,L8,ZPC(YEL),SWR	3	R909	2001-000281	R-CARBON;100OHM,5%,1/8W,AA,TP
3		AA62-00111A	HEAT SINK;TROJAN,AL1050,T1.0,W54.0,H40,	3	R224	2001-000290	R-CARBON;10KOHM,5%,1/8W,AA,TP
2	IC601	1201-001201	IC-POWER AMP;7268,DIP,16P,300MIL,DUAL,32	3	R230	2001-000290	R-CARBON;10KOHM,5%,1/8W,AA,TP
△ 2	PT802S	1404-001246	THERMISTOR-PTC;1.5OHM,+30/-20,110V,140VA	3	R828	2001-000290	R-CARBON;10KOHM,5%,1/8W,AA,TP
△ 2	SF101S	2904-001107	FILTER-SAW AV;45.75MHz,SIP5K,TP,12.6dB,N	3	R835	2001-000290	R-CARBON;10KOHM,5%,1/8W,AA,TP
2	JR701	3722-001745	JACK-PIN;5P,S.VHS(9P)-,NI,YEL,WHT/RED,	3	R842	2001-000290	R-CARBON;10KOHM,5%,1/8W,AA,TP
△ 2	IC201S	AA09-00240A	IC-MOC;TDA9377PS/N2-OTP,TDA9377PS/N2,	3	R915	2001-000290	R-CARBON;10KOHM,5%,1/8W,AA,TP
△ 2	T801S	AA26-00166A	TRANS SWITCHING;EER3942,TROIJAN,120V,PM2	3	R918	2001-000290	R-CARBON;10KOHM,5%,1/8W,AA,TP
△ 2	T444S	AA26-00167A	TRANS FBT;FQH-29A001(S),CT29D4,3.5MH,130	3	R833	2001-000290	R-CARBON;10KOHM,5%,1/8W,AA,TP
△ 2	LR401S	AA27-00035A	COIL-LINEARLITY;-;30UH,DR15X18,0.8MM,19X	3	R229	2001-000429	R-CARBON;1Kohm,5%,1/8W,AA,TP,1.8x3.2mm
△ 2	RM901	AA32-00014A	MODULE REMOCON;346VF2,38KHZ,940MM,MESH,V	3	R926	2001-000429	R-CARBON;1Kohm,5%,1/8W,AA,TP,1.8x3.2mm
△ 2	TU01S	AA40-00038A	TUNER-F/S;UVS8154A-AWP,NTSC,181CH,45.75M	3	R619	2001-000429	R-CARBON;1Kohm,5%,1/8W,AA,TP,1.8x3.2mm
2	CN501	AA39-20620D	LEAD CONNECTOR ASSY;CT29F6,UL1007#26,UL/	3	R919	2001-000429	R-CARBON;1Kohm,5%,1/8W,AA,TP,1.8x3.2mm
△ 2	CR410S	2301-001337	C-FILM,MPE-PPF;4.3nF,5%,1.6kV,TP28.5x16	3	R940	2001-000449	R-CARBON;2.2KOHM,5%,1/8W,AA,TP
2	IC701	1205-002127	IC-SWITCH;LA7016,SIP,8P,877MIL,PLASTIC,1	3	R941	2001-000449	R-CARBON;2.2KOHM,5%,1/8W,AA,TP
△ 2	RM801S	3501-001040	RELAYPOWER;12VDC,500MW,10A,1FO	3	R220	2001-000472	R-CARBON;2.7KOHM,5%,1/8W,AA,TP
2	A/AUTO	AA94-05953A	ASSY-PCB,MAIN(AUTO);K15C,CT29F6SWX/XAP	3	R901	2001-000472	R-CARBON;2.7KOHM,5%,1/8W,AA,TP
3	D303	0402-001321	DIODE-RECTIFIER;1A4G,400,1A,R-1,TP	3	R903	2001-000472	R-CARBON;2.7KOHM,5%,1/8W,AA,TP
△ 3	D809	0402-001321	DIODE-RECTIFIER;1A4G,400,1A,R-1,TP	3	R907	2001-000472	R-CARBON;2.7KOHM,5%,1/8W,AA,TP
3	D902	0402-001321	DIODE-RECTIFIER;1A4G,400,1A,R-1,TP	3	R908	2001-000472	R-CARBON;2.7KOHM,5%,1/8W,AA,TP
3	D201	0401-000005	DIODE;1N4148,100V,300mA,,1V,8nS,TAPING	3	R208	2001-000591	R-CARBON;3.3KOHM,5%,1/8W,AA,TP
△ 3	D808	0401-000005	DIODE;1N4148,100V,300mA,,1V,8nS,TAPING	3	R830	2001-000734	R-CARBON;4.7KOHM,5%,1/8W,AA,TP
				3	R925	2001-000734	R-CARBON;4.7KOHM,5%,1/8W,AA,TP
				3	R910	2001-000734	R-CARBON;4.7KOHM,5%,1/8W,AA,TP

Electrical Parts List

Loc. No.	Code No.	Description ; Specification	Remark	Loc. No.	Code No.	Description ; Specification	Remark
3	R701	2001-000780	R-CARBON;470ohm,5%,1/8W,AA,TP,1.8x3.2mm	3	J108	3812-000219	WIRE-SO,COPPER,TA0.6SN/52M/M/A
3	R702	2001-000780	R-CARBON;470ohm,5%,1/8W,AA,TP,1.8x3.2mm	3	J109	3812-000219	WIRE-SO,COPPER,TA0.6SN/52M/M/A
3	R927	2001-000793	R-CARBON;470HM,5%,1/8W,AA,TP,1	3	J125	3812-000219	WIRE-SO,COPPER,TA0.6SN/52M/M/A
3	R110	2001-000924	R-CARBON;680ohm,5%,1/8W,AA,TP,1.8x3.2mm	3	J129	3812-000219	WIRE-SO,COPPER,TA0.6SN/52M/M/A
3	R105	2001-000947	R-CARBON;7.5KOHM,5%,1/8W,AA,TP	3	J131	3812-000219	WIRE-SO,COPPER,TA0.6SN/52M/M/A
3	R222	2001-000947	R-CARBON;7.5KOHM,5%,1/8W,AA,TP	3	J150	3812-000219	WIRE-SO,COPPER,TA0.6SN/52M/M/A
3	R805	2001-001170	R-CARBON(S);6.8OHM,5%,1/2W,AB,	3	J157	3812-000219	WIRE-SO,COPPER,TA0.6SN/52M/M/A
3	R850	2001-001170	R-CARBON(S);6.8OHM,5%,1/2W,AB,	3	J173	3812-000219	WIRE-SO,COPPER,TA0.6SN/52M/M/A
3	R831	2001-001192	R-CARBON(S);820OHM,5%,1/2W,AB,	3	J175	3812-000219	WIRE-SO,COPPER,TA0.6SN/52M/M/A
△	RY801S	2002-001012	R-COMPOSITION;8.2M0hm,5%,1/2W,AA,TP,3.7X	3	J201	3812-000219	WIRE-SO,COPPER,TA0.6SN/52M/M/A
3	C908	2201-000573	C-CERAMIC,DISC;47PF,5%,50V,NPO	3	J203	3812-000219	WIRE-SO,COPPER,TA0.6SN/52M/M/A
3	C909	2201-000573	C-CERAMIC,DISC;47PF,5%,50V,NPO	3	J205	3812-000219	WIRE-SO,COPPER,TA0.6SN/52M/M/A
3	C408	2201-000599	C-CERAMIC,DISC;560PF,10%,500V,	3	J208	3812-000219	WIRE-SO,COPPER,TA0.6SN/52M/M/A
3	C811	2201-000599	C-CERAMIC,DISC;560PF,10%,500V,	3	J209	3812-000219	WIRE-SO,COPPER,TA0.6SN/52M/M/A
3	C105	2202-000127	C-CERAMIC,MLC-AXIAL;10NF,+80-2	3	J210	3812-000219	WIRE-SO,COPPER,TA0.6SN/52M/M/A
3	C106	2202-000127	C-CERAMIC,MLC-AXIAL;10NF,+80-2	3	J211	3812-000219	WIRE-SO,COPPER,TA0.6SN/52M/M/A
3	C111	2202-000127	C-CERAMIC,MLC-AXIAL;10NF,+80-2	3	J212	3812-000219	WIRE-SO,COPPER,TA0.6SN/52M/M/A
3	C223	2202-000796	C-CERAMIC,MLC-AXIAL;1NF,10%,50	3	J213	3812-000219	WIRE-SO,COPPER,TA0.6SN/52M/M/A
3	C224	2202-000796	C-CERAMIC,MLC-AXIAL;1NF,10%,50	3	J301	3812-000219	WIRE-SO,COPPER,TA0.6SN/52M/M/A
3	C604	2301-000192	C-FILM,PEF;1NF,5%,50V,5.3X10MM	3	J304	3812-000219	WIRE-SO,COPPER,TA0.6SN/52M/M/A
3	C609	2301-000192	C-FILM,PEF;1NF,5%,50V,5.3X10MM	3	J305	3812-000219	WIRE-SO,COPPER,TA0.6SN/52M/M/A
3	C109	2301-000224	C-FILM,PEF;22NF,5%,50V,7.4X3.9	3	J307	3812-000219	WIRE-SO,COPPER,TA0.6SN/52M/M/A
3	C804	2301-000224	C-FILM,PEF;22NF,5%,50V,7.4X3.9	3	J308	3812-000219	WIRE-SO,COPPER,TA0.6SN/52M/M/A
3	C810	2301-000224	C-FILM,PEF;22NF,5%,50V,7.4X3.9	3	J312	3812-000219	WIRE-SO,COPPER,TA0.6SN/52M/M/A
3	C805	2301-000235	C-FILM,PEF;3.9NF,5%,50V,6.5X3.0X5.5MM,5M	3	J402	3812-000219	WIRE-SO,COPPER,TA0.6SN/52M/M/A
3	C227	2301-000445	C-FILM,PEF;4.7nF,5%,50V,TP,5.5x7x3mm,5mm	3	J405	3812-000219	WIRE-SO,COPPER,TA0.6SN/52M/M/A
3	C248	2301-000445	C-FILM,PEF;4.7nF,5%,50V,TP,5.5x7x3mm,5mm	3	J408	3812-000219	WIRE-SO,COPPER,TA0.6SN/52M/M/A
3	C207	2305-000412	C-FILM,MPEF;470NF,5%,63V,-5MM	3	J420	3812-000219	WIRE-SO,COPPER,TA0.6SN/52M/M/A
3	C911	2305-000412	C-FILM,MPEF;470NF,5%,63V,-5MM	3	J602	3812-000219	WIRE-SO,COPPER,TA0.6SN/52M/M/A
3	C103	2305-000665	C-FILM;104J, 60V,5MM TAPING	3	J603	3812-000219	WIRE-SO,COPPER,TA0.6SN/52M/M/A
3	C208	2305-000665	C-FILM;104J, 60V,5MM TAPING	3	J604	3812-000219	WIRE-SO,COPPER,TA0.6SN/52M/M/A
3	C210	2305-000665	C-FILM;104J, 60V,5MM TAPING	3	J705	3812-000219	WIRE-SO,COPPER,TA0.6SN/52M/M/A
3	C218	2305-000665	C-FILM;104J, 60V,5MM TAPING	3	J706	3812-000219	WIRE-SO,COPPER,TA0.6SN/52M/M/A
3	C230	2305-000665	C-FILM;104J, 60V,5MM TAPING	3	J715	3812-000219	WIRE-SO,COPPER,TA0.6SN/52M/M/A
3	C803	2305-000665	C-FILM;104J, 60V,5MM TAPING	3	J716	3812-000219	WIRE-SO,COPPER,TA0.6SN/52M/M/A
3	C819	2305-000665	C-FILM;104J, 60V,5MM TAPING	3	J717	3812-000219	WIRE-SO,COPPER,TA0.6SN/52M/M/A
3	C913	2305-000665	C-FILM;104J, 60V,5MM TAPING	3	J721	3812-000219	WIRE-SO,COPPER,TA0.6SN/52M/M/A
3	C916	2305-000665	C-FILM;104J, 60V,5MM TAPING	3	J802	3812-000219	WIRE-SO,COPPER,TA0.6SN/52M/M/A
3	C920	2305-000665	C-FILM;104J, 60V,5MM TAPING	3	J803	3812-000219	WIRE-SO,COPPER,TA0.6SN/52M/M/A
3	C821	2401-000302	C-AL;100UF,20%,25V,GP,6X11MM,5	3	J805	3812-000219	WIRE-SO,COPPER,TA0.6SN/52M/M/A
3	C823	2401-000302	C-AL;100UF,20%,25V,GP,6X11MM,5	3	J806	3812-000219	WIRE-SO,COPPER,TA0.6SN/52M/M/A
3	C915	2401-000302	C-AL;100UF,20%,25V,GP,6X11MM,5	3	J807	3812-000219	WIRE-SO,COPPER,TA0.6SN/52M/M/A
3	C104	2401-000480	C-AL;10UF,20%,50V,GP,5X11MM,5M	3	J808	3812-000219	WIRE-SO,COPPER,TA0.6SN/52M/M/A
3	C203	2401-000480	C-AL;10UF,20%,50V,GP,5X11MM,5M	3	J809	3812-000219	WIRE-SO,COPPER,TA0.6SN/52M/M/A
3	C650	2401-000480	C-AL;10UF,20%,50V,GP,5X11MM,5M	3	J810	3812-000219	WIRE-SO,COPPER,TA0.6SN/52M/M/A
3	C651	2401-000480	C-AL;10UF,20%,50V,GP,5X11MM,5M	3	J812	3812-000219	WIRE-SO,COPPER,TA0.6SN/52M/M/A
3	C820	2401-000480	C-AL;10UF,20%,50V,GP,5X11MM,5M	3	J813	3812-000219	WIRE-SO,COPPER,TA0.6SN/52M/M/A
3	C219	2401-000603	C-AL;1UF,20%,50V,GP,5X11MM,5MM	3	J816	3812-000219	WIRE-SO,COPPER,TA0.6SN/52M/M/A
3	C601	2401-000703	C-ELEC;CE04-40/8525VT222-MWSD	3	J818	3812-000219	WIRE-SO,COPPER,TA0.6SN/52M/M/A
3	C815	2401-000703	C-ELEC;CE04-40/8525VT222-MWSD	3	J820	3812-000219	WIRE-SO,COPPER,TA0.6SN/52M/M/A
3	C802	2401-001192	C-AL;33UF,20%,50V,GP,6X11MM,5MM,TP	3	J901	3812-000219	WIRE-SO,COPPER,TA0.6SN/52M/M/A
3	L103	2701-000114	INDUCTOR-AXIAL;10UH,10%,2.5X3.	3	J902	3812-000219	WIRE-SO,COPPER,TA0.6SN/52M/M/A
3	L104	2701-000114	INDUCTOR-AXIAL;10UH,10%,2.5X3.	3	J903	3812-000219	WIRE-SO,COPPER,TA0.6SN/52M/M/A
3	L202	2701-000114	INDUCTOR-AXIAL;10UH,10%,2.5X3.	3	J904	3812-000219	WIRE-SO,COPPER,TA0.6SN/52M/M/A
3	L903	2701-000158	INDUCTOR-AXIAL;22UH,10%,2.5X3.	3	J905	3812-000219	WIRE-SO,COPPER,TA0.6SN/52M/M/A
3	L902	2701-000158	INDUCTOR-AXIAL;22UH,10%,2.5X3.	3	JP02	3812-000219	WIRE-SO,COPPER,TA0.6SN/52M/M/A
3	L904	2701-000158	INDUCTOR-AXIAL;22UH,10%,2.5X3.	3	L703	3812-000219	WIRE-SO,COPPER,TA0.6SN/52M/M/A
3	L402	2901-000297	FILTER-EMI ON BOARD;-.3A,-,3.5x5,TP,-	3	R405	3812-000219	WIRE-SO,COPPER,TA0.6SN/52M/M/A
3	L403	2901-000297	FILTER-EMI ON BOARD;-.3A,-,3.5x5,TP,-	3	R507	3812-000219	WIRE-SO,COPPER,TA0.6SN/52M/M/A
3	L806	2901-000297	FILTER-EMI ON BOARD;-.3A,-,3.5x5,TP,-	3	R508	3812-000219	WIRE-SO,COPPER,TA0.6SN/52M/M/A
3	L808	2901-000297	FILTER-EMI ON BOARD;-.3A,-,3.5x5,TP,-	3	R509	3812-000219	WIRE-SO,COPPER,TA0.6SN/52M/M/A
3	SW901	3404-000244	SWITCH-TACT;15V,20MA,90-170GF,	3	L704	3812-000219	WIRE-SO,COPPER,TA0.6SN/52M/M/A
3	SW902	3404-000244	SWITCH-TACT;15V,20MA,90-170GF,	3	J608	3812-000219	WIRE-SO,COPPER,TA0.6SN/52M/M/A
3	SW903	3404-000244	SWITCH-TACT;15V,20MA,90-170GF,	3	J607	3812-000219	WIRE-SO,COPPER,TA0.6SN/52M/M/A
3	SW904	3404-000244	SWITCH-TACT;15V,20MA,90-170GF,	3	J218	3812-000219	WIRE-SO,COPPER,TA0.6SN/52M/M/A
3	SW905	3404-000244	SWITCH-TACT;15V,20MA,90-170GF,	3	J214	3812-000219	WIRE-SO,COPPER,TA0.6SN/52M/M/A
3	SWN01	3404-000244	SWITCH-TACT;15V,20MA,90-170GF,	3	J821	3812-000219	WIRE-SO,COPPER,TA0.6SN/52M/M/A
3	F801B	3602-000114	FUSE-HOLDER;-,30MOHM	3	J423	3812-000219	WIRE-SO,COPPER,TA0.6SN/52M/M/A
3	F801A	3602-000114	FUSE-HOLDER;-,30MOHM	3	J601	3812-000219	WIRE-SO,COPPER,TA0.6SN/52M/M/A
3	C507	3812-000219	WIRE-SO,COPPER,TA0.6SN/52M/M/A	3	J409	3812-000219	WIRE-SO,COPPER,TA0.6SN/52M/M/A
3	C508	3812-000219	WIRE-SO,COPPER,TA0.6SN/52M/M/A	3	R601	3812-000219	WIRE-SO,COPPER,TA0.6SN/52M/M/A
3	DZ804	3812-000219	WIRE-SO,COPPER,TA0.6SN/52M/M/A	3	J217	3812-000219	WIRE-SO,COPPER,TA0.6SN/52M/M/A
3	J101	3812-000219	WIRE-SO,COPPER,TA0.6SN/52M/M/A	3	J712	3812-000219	WIRE-SO,COPPER,TA0.6SN/52M/M/A
3	J104	3812-000219	WIRE-SO,COPPER,TA0.6SN/52M/M/A	3	J814	3812-000219	WIRE-SO,COPPER,TA0.6SN/52M/M/A
3	J105	3812-000219	WIRE-SO,COPPER,TA0.6SN/52M/M/A	3	R422	3812-000219	WIRE-SO,COPPER,TA0.6SN/52M/M/A
3	J106	3812-000219	WIRE-SO,COPPER,TA0.6SN/52M/M/A	3	J817	3812-000219	WIRE-SO,COPPER,TA0.6SN/52M/M/A
3	J107	3812-000219	WIRE-SO,COPPER,TA0.6SN/52M/M/A	3	J823	3812-000219	WIRE-SO,COPPER,TA0.6SN/52M/M/A

Loc. No.	Code No.	Description ; Specification	Remark	Loc. No.	Code No.	Description ; Specification	Remark
3	EY401	AA60-40011A	EYELET,-,ID2.0,OD2.8,-,BST	3	L406	3301-000287	CORE-FERRITEBEAD;AA,3.5X1.0X6.
3	EY402	AA60-40011A	EYELET,-,ID2.0,OD2.8,-,BST	3	L802	3301-000287	CORE-FERRITEBEAD;AA,3.5X1.0X6.
3	EY403	AA60-40011A	EYELET,-,ID2.0,OD2.8,-,BST	3	L803	3301-000287	CORE-FERRITEBEAD;AA,3.5X1.0X6.
3	EY404	AA60-40011A	EYELET,-,ID2.0,OD2.8,-,BST	3	R408	3301-000287	CORE-FERRITEBEAD;AA,3.5X1.0X6.
3	EY405	AA60-40011A	EYELET,-,ID2.0,OD2.8,-,BST	3	J102	2701-000142	INDUCTOR-AXIAL;1UH,10%,2.5X3.4
3	EY406	AA60-40011A	EYELET,-,ID2.0,OD2.8,-,BST	3	J103	2701-000142	INDUCTOR-AXIAL;1UH,10%,2.5X3.4
3	EY412	AA60-40011A	EYELET,-,ID2.0,OD2.8,-,BST	3	L301	2701-000142	INDUCTOR-AXIAL;1UH,10%,2.5X3.4
3	EY414	AA60-40011A	EYELET,-,ID2.0,OD2.8,-,BST	3	L302	2701-000142	INDUCTOR-AXIAL;1UH,10%,2.5X3.4
3	EY416	AA60-40011A	EYELET,-,ID2.0,OD2.8,-,BST	3	L404	2701-000142	INDUCTOR-AXIAL;1UH,10%,2.5X3.4
3	EY417	AA60-40011A	EYELET,-,ID2.0,OD2.8,-,BST	3	Q201	0501-000283	TRANSISTOR;KSA539-Y(TAPG)/YTAM
3	EY418	AA60-40011A	EYELET,-,ID2.0,OD2.8,-,BST	3	Q202	0501-000389	TRANSISTOR;KSC815-Y(TAPG)/YTAM
3	EY419	AA60-40011A	EYELET,-,ID2.0,OD2.8,-,BST	3	Q802	0501-000389	TRANSISTOR;KSC815-Y(TAPG)/YTAM
3	EY420	AA60-40011A	EYELET,-,ID2.0,OD2.8,-,BST	3	Q603	0501-000389	TRANSISTOR;KSC815-Y(TAPG)/YTAM
3	EY421	AA60-40011A	EYELET,-,ID2.0,OD2.8,-,BST	3	R101	2001-000554	R-CARBON;2700HM,5%,1/8W,AA,TP
3	EY801	AA60-40011A	EYELET,-,ID2.0,OD2.8,-,BST	3	R102	2001-000554	R-CARBON;2700HM,5%,1/8W,AA,TP
3	EY802	AA60-40011A	EYELET,-,ID2.0,OD2.8,-,BST	3	R109	2001-000786	R-CARBON;47KOHM,5%,1/8W,AA,TP
3	EY803	AA60-40011A	EYELET,-,ID2.0,OD2.8,-,BST	3	R202	2001-000645	R-CARBON;330KOHM,5%,1/8W,AA,TP
3	EY804	AA60-40011A	EYELET,-,ID2.0,OD2.8,-,BST	3	R203	2001-000857	R-CARBON;5600HM,5%,1/8W,AA,TP
3	EY701	AA60-40011A	EYELET,-,ID2.0,OD2.8,-,BST	3	R299	2001-000563	R-CARBON;27KOHM,5%,1/8W,AA,TP,1.8X3.2MM
3	EY702	AA60-40011A	EYELET,-,ID2.0,OD2.8,-,BST	3	R207	2001-000005	R-CARBON;3900HM,5%,1/8W,AA,TP
3	EL403	AA60-40011B	EYELET,-,ID2.2,OD3.2,-,BSP	3	R905	2001-000005	R-CARBON;3900HM,5%,1/8W,AA,TP
3	EL801	AA60-40011B	EYELET,-,ID2.2,OD3.2,-,BSP	3	R906	2001-000005	R-CARBON;3900HM,5%,1/8W,AA,TP
3	EL802	AA60-40011B	EYELET,-,ID2.2,OD3.2,-,BSP	3	R210	2001-000969	R-CARBON;750HM,5%,1/8W,AA,TP,1
3	GT301	AA60-40014A	PIN-GT,ASSY;1P,-,AUTO	3	R212	2001-000969	R-CARBON;750HM,5%,1/8W,AA,TP,1
3	GT302	AA60-40014A	PIN-GT,ASSY;1P,-,AUTO	3	R712	2001-000969	R-CARBON;750HM,5%,1/8W,AA,TP,1
3	GT401	AA60-40014A	PIN-GT,ASSY;1P,-,AUTO	3	R714	2001-000969	R-CARBON;750HM,5%,1/8W,AA,TP,1
3	GT402	AA60-40014A	PIN-GT,ASSY;1P,-,AUTO	3	R214	2001-000490	R-CARBON;2000HM,5%,1/8W,AA,TP,1
3	GT502	AA60-40014A	PIN-GT,ASSY;1P,-,AUTO	3	R902	2001-000241	R-CARBON;1.5KOHM,5%,1/8W,AA,TP
3	GT801	AA60-40014A	PIN-GT,ASSY;1P,-,AUTO	3	R904	2001-000241	R-CARBON;1.5KOHM,5%,1/8W,AA,TP
3	GT802	AA60-40014A	PIN-GT,ASSY;1P,-,AUTO	3	R219	2004-001914	R-METAL;39KOHM,2%,1/8W,AA,TP,1
3	GT803	AA60-40014A	PIN-GT,ASSY;1P,-,AUTO	3	R227	2001-000739	R-CARBON;4.7MOHM,5%,1/8W,AA,TP
3	GT804	AA60-40014A	PIN-GT,ASSY;1P,-,AUTO	3	R228	2001-000739	R-CARBON;4.7MOHM,5%,1/8W,AA,TP
3	GT805	AA60-40014A	PIN-GT,ASSY;1P,-,AUTO	3	R301	2001-000016	R-CARBON(S);10HM,5%,1/2W,AA,TP
3	GT403	AA60-40014A	PIN-GT,ASSY;1P,-,AUTO	3	R825	2008-000266	R-FUSIBLE(S);10HM,5%,2W,AF,TP
3	L/LINE	AA68-01544A	LABEL;LINE,ALL MDL COMMON	3	R421	2008-000266	R-FUSIBLE(S);10HM,5%,2W,AF,TP
3	C121	2202-000286	C-CERAMIC,MLC-AXIAL;56PF,5%,50	3	R823	2001-001199	R-CARBON(S);910HM,5%,1/2W,AA,T
3	C215	2305-000289	C-FILM,MPEF;220NF,5%,63V,-,5MM	3	R411	2001-001114	R-CARBON(S);2700HM,5%,1/2W,AA
3	C216	2305-000289	C-FILM,MPEF;220NF,5%,63V,-,5MM	3	R403	2003-002151	R-METALOXIDE;18KOHM,5%,2W,AG,TP,6X16
3	C233	2305-000289	C-FILM,MPEF;220NF,5%,63V,-,5MM	3	R402	2003-000540	R-METALOXIDE(S);1KOHM,5%,2W,AD
3	C234	2305-000289	C-FILM,MPEF;220NF,5%,63V,-,5MM	3	R304	2008-001011	R-FUSIBLE(S);0.180HM,10%,2W,AF
3	C205	2305-000289	C-FILM,MPEF;220NF,5%,63V,-,5MM	3	R305	2008-001011	R-FUSIBLE(S);0.180HM,10%,2W,AF
3	R425	2008-000299	R-FUSIBLE;RF2RT470-J	3	R424	2004-001402	R-METAL(S);6.8KOHM,1%,1/2W,AA
3	C407	2301-000383	C-FILM,PEF;10nF,5%,50V,TP,6x7x3.2mm,5mm	3	R316	2008-001107	R-FUSIBLE(S);300ohm,5%,2W,AG,TP,3.9x12mm
3	C406	2401-002619	C-AL;47uF,20%,25V,GP,TP;5x11.5	3	R501H	2002-001009	R-COMPOSITION;2.7KOHM,10%,1/2W,AA,TP,3.7
3	C221	2401-000660	C-ELECTROLYTIC;CE04WTAPG50V2.2	3	R502H	2002-001009	R-COMPOSITION;2.7KOHM,10%,1/2W,AA,TP,3.7
3	C217	2301-000342	C-FILM,PEF;2.2nF,5%,50V,TP;7.4x3.9x13mm,	3	R503	2002-001009	R-COMPOSITION;2.7KOHM,10%,1/2W,AA,TP,3.7
3	C225	2309-000138	C-FILM,PE-PFF;100NF,5%,50V,TP,	3	R504	2001-001062	R-CARBON(S);10MOHM,5%,1/2W,AA
3	C309	2301-000254	C-FILM,PEF;39NF,5%,50V,7.5X3.5X6.5MM,5MM	3	R407	2003-000586	R-METALOXIDE(S);22KOHM,5%,2W,A
3	C302	2201-000259	C-CERAMIC,DISC;180PF,10%,500V,Y5P;6X4MM,	3	R410	2003-000586	R-METALOXIDE(S);22KOHM,5%,2W,A
3	C301	2305-000285	C-FILM,MPEF;220NF,5%,100V,-,5M	3	R414	2001-001078	R-CARBON(S);15KOHM,5%,1/2W,AA
3	C312	2305-000149	C-FILM,CF922N100V104-J,40/105	3	R840	2001-001078	R-CARBON(S);15KOHM,5%,1/2W,AA
△	CR405S	2305-000382	C-FILM,MPEF;4.7NF,5%,400V,TP,-,5MM.	3	R821	2001-001131	R-CARBON(S);33KOHM,5%,1/2W,AA
△	CR404S	2201-000639	C-CERAMIC,DISC;680PF,10%,2KV,Y5P,-,5MM,T	3	R822	2004-001983	R-METAL;2.49KOHM,1%,1/2W,AA,TP,2.4X6.4
3	C607	2401-001397	C-AL;470UF,20%,25V,GP,10X16MM,	3	C226	2202-000829	C-CERAMIC,MLC-AXIAL;820pf,10%,50V,Y5P,TP
3	C608	2401-001397	C-AL;470UF,20%,25V,GP,10X16MM,	3	D501	0402-000254	DIODE-RECTIFIER;RGP10J,600V,1A,DO-41
3	C420	2301-001065	C-FILM,MPPF;47NF,5%,630V,TP,19	3	R225	2001-000325	R-CARBON;1200HM,5%,1/8W,AA,TP
3	C505	2202-000825	C-CERAMIC,MLC-AXIAL;680PF,10%,50V,Y5P,TP	3	R824	2008-000294	R-FUSIBLE;330HM,5%,2W,AF,TP,3
3	C506	2401-000430	C-ELECTROLYTIC;CE04WTAPG250V10	3	R827	2003-000998	R-METALOXIDE;3000HM,5%,2W,AF,T
3	C504	2401-001232	C-AL;4.7UF,20%,250V,GP,10X12.5	3	Z201	2903-000129	FILTER-CERAMIC;BP,4.54MHZ
3	C503	2201-000723	C-CERAMIC,DISC;4.7nF,20%,3KV,Y5U,TP,16x5	3	C402	2201-000132	C-CERAMIC,DISC;100PF,10%,500V,Y5P;6X3MM,
3	C812	2401-000262	C-AL;100UF,20%,160V,GP,16X25MM,5MM,	△	IC803	1203-001217	IC-POST,ADJUSTREG;431,TO-92,3P,4.58MIL,P
3	D304	0402-000546	DIODE-RECTIFIER;TVR10G,400V,1.	3	R409	2001-000020	R-CARBON(S);220HM,5%,1/2W,AA,T
3	D401	0402-000493	DIODE-RECTIFIER;1R5GU41,400V,1	3	R834	2003-001040	R-METALOXIDE(S);47Kohm,5%,2W,AF,TP,3.9x1
3	D301	0402-000534	DIODE-RECTIFIER;RG10V,400V,1.5	3	Q402	0501-000369	TRANSISTOR;KSC2331-Y(TAPG)
3	DZ301	0403-001328	DIODE-ZENER;MTZJ22A,20.15-21.20V,500mW,D	3	Q951	0501-000369	TRANSISTOR;KSC2331-Y(TAPG)
3	DZ305	0403-001328	DIODE-ZENER;MTZJ22A,20.15-21.20V,500mW,D	3	R206	2001-000010	R-CARBON;68Kohm,5%,1/8W,AA,TP,1.8x3.2mm
3	DZ302	0403-001329	DIODE-ZENER;MTZJ24B,22.61-23.77V,500mW,	3	R620	2001-000273	R-CARBON;100KOHM,5%,1/8W,AA,TP
3	DZ310	0403-001221	DIODE-ZENER;UZ39BSB,35.36-37.19V,500mW,D	3	R621	2001-000273	R-CARBON;100KOHM,5%,1/8W,AA,TP
3	DZ101	0403-000700	DIODE-ZENER;TZP33A,33V,31-35V,	3	R205	2001-000397	R-CARBON;180KOHM,5%,1/8W,AA,TP
3	DZ303	0403-000700	DIODE-ZENER;TZP33A,33V,31-35V,	3	R218	2001-000522	R-CARBON;22KOHM,5%,1/8W,AA,TP
3	DZ801	0403-001140	DIODE-ZENER;RD10ESAB-T4,10V,9.19-10.30V,	3	R603	2001-000890	R-CARBON;6.8KOHM,5%,1/8W,AA,TP
3	DZ805	0403-001327	DIODE-ZENER;MTZJ18A,16.22-17.06V,500mW,D	3	R604	2001-000890	R-CARBON;6.8KOHM,5%,1/8W,AA,TP
△	FD801S	3601-001086	FUSE-AXIAL LEAD;125V,5A,FAST-ACTING,GLAS	3	R602	2001-000890	R-CARBON;6.8KOHM,5%,1/8W,AA,TP
3	L303	2701-000159	INDUCTORAXIAL;22uH,10%,4.2x9.8mm	3	R607	2001-000890	R-CARBON;6.8KOHM,5%,1/8W,AA,TP
3	L205	2701-000159	INDUCTORAXIAL;22uH,10%,4.2x9.8mm	3	R819	2001-001088	R-CARBON(S);1KOHM,5%,1/2W,AA,TP,2.4X6.4
3	L304	2701-000159	INDUCTORAXIAL;22uH,10%,4.2x9.8mm	3	R820	2001-001088	R-CARBON(S);1KOHM,5%,1/2W,AA,TP,2.4X6.4
3	L206	3301-000287	CORE-FERRITEBEAD;AA,3.5X1.0X6.	3	R832	2001-001088	R-CARBON(S);1KOHM,5%,1/2W,AA,TP,2.4X6.4

Loc. No.	Code No.	Description ; Specification	Remark	Loc. No.	Code No.	Description ; Specification	Remark
3 R818	2001-001154	R-CARBON(S);5.1KOHM,5%,1/2W,AB		2 CNS03	AA61-10068A	BRACKET-PCB,-,SPT,-,TO.3,-,-	
3 RP801S	2002-001010	R-COMPOSITION;1.8MOHM,5%,1/2W,AA,TP,3.7X		2 CNS02	3711-002706	PIN-HEADER;YFAW025-108(PIN2.5M/M)20.0	
3 R413	2003-000664	R-METAL OXIDE(S);330HM,5%,2W,AF,TP,4X12M		2 ICS01	1204-001662	IC-SOUND PROCESSOR;MSP3425G-B7,DIP,52P5	
3 R802	2003-000664	R-METAL OXIDE(S);330HM,5%,2W,AF,TP,4X12M		2 CNS01	3711-002708	CONNECTOR-HEADER;NOWALL,10P,1R,2.5mm,ANG	
3 R817	2004-001889	R-METAL(S);127KOHM,1%,1/2W,AA,TP,2.5X6.5		2 RS02	2001-000281	R-CARBON;1000HM,5%,1/8W,AA,TP,	
3 R505	2008-000206	R-FUSIBLE(S);1OHM,5%,1/2W,AF,T		2 RS03	2001-000281	R-CARBON;1000HM,5%,1/8W,AA,TP,	
3 R307	2008-001013	R-FUSIBLE(S);1.2ohm,5%,2W,AF,TP,3.9x10mm		2 RS04	2001-000290	R-CARBON;10KOHM,5%,1/8W,AA,TP,	
3 R610	2008-001076	R-FUSIBLE(S);1.8ohm,5%,2W,AF,TP,3.9x10mm		2 RS01	2001-000429	R-CARBON;1Kohm,5%,1/8W,AA,TP,1.8x3.2mm	
3 R612	2008-001076	R-FUSIBLE(S);1.8ohm,5%,2W,AF,TP,3.9x10mm		2 RS05	2001-000429	R-CARBON;1Kohm,5%,1/8W,AA,TP,1.8x3.2mm	
3 C602	2201-000982	C-CERAMIC,DISC;10NF,+80-20%,50		2 RS06	2001-000429	R-CARBON;1Kohm,5%,1/8W,AA,TP,1.8x3.2mm	
3 C705	2201-000982	C-CERAMIC,DISC;10NF,+80-20%,50		2 CS27	2201-000292	C-CERAMIC,DISC;1NF,10%,50V,Y5P	
3 C501	2201-000193	C-CERAMIC,DISC;10PF,0.25PF,50V		2 CS29	2201-000304	C-CERAMIC,DISC0.001nF,0.25pF,50V,NPO,TP	
3 C906	2201-000292	C-CERAMIC,DISC;1NF,10%,50V,Y5P		2 CS30	2201-000304	C-CERAMIC,DISC0.001nF,0.25pF,50V,NPO,TP	
3 C816	2201-000375	C-CERAMIC,DISC;220PF,5%,50V,RH		2 CS28	2202-000286	C-CERAMIC,MLC-AXIAL;56PF,5%,50	
3 C211	2202-000632	C-CERAMIC,MLC-AXIAL;100nF,20%,50V,Z5U,TP		2 CS31	2202-000286	C-CERAMIC,MLC-AXIAL;56PF,5%,50	
3 C222	2401-000215	C-AL;100NF,20%,50V,4X7MM,5MM,T		2 CS01	2301-000108	C-FILM,PEF;1.5NF,5%,50V,6.5X3.0X5.5MM,5M	
3 C110	2401-000914	C-AL;22UF,20%,16V,GP,5X11.5,TP		2 CS15	2301-000108	C-FILM,PEF;1.5NF,5%,50V,6.5X3.0X5.5MM,5M	
3 C119	2401-001333	C-ELECTROLYTIC;CE04WTAPG50V0.4		2 CS07	2301-000383	C-FILM,PEF;10nF,5%,50V,TP6x7x3.2mm,5mm	
3 C120	2401-001333	C-ELECTROLYTIC;CE04WTAPG50V0.4		2 CS17	2305-000665	C-FILM;104J, 60V,5MM TAPING	
3 C702	2401-001333	C-ELECTROLYTIC;CE04WTAPG50V0.4		2 CS23	2305-000665	C-FILM;104J, 60V,5MM TAPING	
3 C703	2401-001333	C-ELECTROLYTIC;CE04WTAPG50V0.4		2 CS03	2401-000318	C-AL(105C);100UF,20%,25V,WT,8X	
3 C113	2401-001840	C-AL;100UF,20%,16V,GP,TP,6.3X1		2 CS12	2401-000480	C-AL;10UF,20%,50V,GP,5X11MM,5M	
3 C209	2401-001840	C-AL;100UF,20%,16V,GP,TP,6.3X1		2 CS14	2401-000480	C-AL;10UF,20%,50V,GP,5X11MM,5M	
3 C213	2401-001840	C-AL;100UF,20%,16V,GP,TP,6.3X1		2 CS06	2401-001026	C-AL;3.3UF,20%,50V,GP,5X11MM,5	
3 C229	2401-001840	C-AL;100UF,20%,16V,GP,TP,6.3X1		2 CS18	2401-001026	C-AL;3.3UF,20%,50V,GP,5X11MM,5	
3 C903	2401-001840	C-AL;100UF,20%,16V,GP,TP,6.3X1		2 CS16	2401-001840	C-AL;100UF,20%,16V,GP,TP,6.3X1	
3 C910	2401-001840	C-AL;100UF,20%,16V,GP,TP,6.3X1		2 CS25	2401-001840	C-AL;100UF,20%,16V,GP,TP,6.3X1	
3 C901	2401-001537	C-AL;47UF,20%,25V,GP,6.3X7MM,5		2 LS01	2701-000114	INDUCTOR-AXIAL;10UH,10%,2.5X3.	
3 C827	2401-000040	C-ALUMINUM;47UF,20%,250V,WT16*25MM,7EA		2 LS03	2701-000169	INDUCTORAXIAL;3.9uH,10%,2.5x3.4mm	
3 C605	2401-001914	C-AL;1uF,20%,50V,BP,TP,5x11.5		2 LS04	2701-000169	INDUCTORAXIAL;3.9uH,10%,2.5x3.4mm	
3 C610	2401-001914	C-AL;1uF,20%,50V,BP,TP,5x11.5		2 XS01	2801-000186	CRYSTAL-UNIT;18.432MHz,25ppm,28-AAM,8pF	
3 C220	2401-002235	C-ELECTROLYTIC;CE04W(T)16V10M		2 JS05	3812-000219	WIRE-SO,COPPER;TA0.6SN/52M/MA	
3 C231	2401-002235	C-ELECTROLYTIC;CE04W(T)16V10M		2 ICS02	1203-000515	IC-VOL DETECTOR;7042,TO-92,3P;177MIL,PL	
3 C403	2401-002268	C-ELEC;CE04-40/105250VT2R2-MWR		2 RS10	2001-000780	R-CARBON;470ohm,5%,1/8W,AA,TP,1.8x3.2mm	
3 C304	2401-002288	C-ELEC;CE04-55/10525VT471-MWRG		2 RS11	2001-000780	R-CARBON;470ohm,5%,1/8W,AA,TP,1.8x3.2mm	
3 C306	2401-002288	C-ELEC;CE04-55/10525VT471-MWRG		2 CS16	2301-000232	C-FILM,PEF;3.3NF,5%,50V,8.1X4.	
3 C818	2401-003028	C-AL;100UF,20%,25V,GP,TP,6.3X1		2 CS37	2301-000232	C-FILM,PEF;3.3NF,5%,50V,8.1X4.	
3 C817	2401-003028	C-AL;100UF,20%,25V,GP,TP,6.3X1		2 RS07	2001-000003	R-CARBON;330OHM,5%,1/8W,AA,TP,	
3 L203	2701-000127	INDUCTOR-AXIAL;15UH,10%,2.5X3.		2 RS08	2001-000003	R-CARBON;330OHM,5%,1/8W,AA,TP,	
3 L804	2701-001030	INDUCTOR-AXIAL;43uH,10%,14x4.5mm		2 PCB	AA41-00573A	PCB-STEREO MODULE;29F6,FR-1,1L,A,1.6T,33	
3 L102	2702-000142	INDUCTOR-RADIAL;22uH,5%,6x6.4mm		2 A/SOUN	AA95-01591A	ASSY SOUND;TROJAN,K15C,STEREO	
3 L201	2702-000142	INDUCTOR-RADIAL;22uH,5%,6x6.4mm					
3 C502	2301-000213	C-FILM,PEF;220NF,5%,250V,21.5X					
3 C228	2401-000027	C-AL;4.7UF,20%,50V,GP,5*11MM,5MEA					
3 C611	2401-000027	C-AL;4.7UF,20%,50V,GP,5*11MM,5MEA					
3 C813	2401-002290	C-AL;47uF,20%,160V,GP,TP,13x20.5		1 A/BACK	AA92-01501A	ASSY-CABINET(COM);CT29F6SWX/XAP,K15C	
3 C101	2401-002183	C-AL;220uF,20%,16V,GP,TP,8x9,5mm					
3 C307	2401-000365	C-AL;100uF,20%,50V,WT,TP,10x12.5mm,		2 B/C	AA64-02303B	CABINET BACK;29F6,HIPS,HB,G4309	
3 C308	2401-000365	C-AL;100uF,20%,50V,WT,TP,10x12.5mm,		2 CB+CF	6002-000514	SCREW-TAPPING;RH,+,2,M4,L15,ZP	
3 C613	2301-000232	C-FILM,PEF;3.3NF,5%,50V,8.1X4.		2 CB+RCA	6002-000514	SCREW-TAPPING;RH,+,2,M4,L15,ZP	
3 C614	2301-000232	C-FILM,PEF;3.3NF,5%,50V,8.1X4.		2 AC+BC	AA65-30008A	CLAMP-CORD,-,PE,HB,BLK,-,-	
3 R302	2004-001371	R-METAL(S);1.5KOHM,1%,1/2W,AA,		2 L/BOX	AA68-01542A	LABEL;(UNIBOX),PAPER WHIT ALLMD	
3 R306	2004-001371	R-METAL(S);1.5KOHM,1%,1/2W,AA,		2 PE-BAG	AA69-01208A	BAG;SHEET,19-20,W42,L50,FOAM,OEM	
3 PCB	AA41-00572A	PCB-MAIN;29F6,FR-1,1L,A,1.6T,245X245,K1		2 STAPLE	AA60-40006A	PIN-STAPLE,-,-,H18,33X17.8X2	
3 R423	2004-005045	R-METAL;75KOHM,1%,1/2W,AA,TP,2.4X6.4MM		2 BX-TAP	0203-001295	TAPE-OPP MASKING;1242,TO.06,W100,L91.4M,	
3 X901	2801-003433	CRYSTAL-UNIT;12MHZ,30PPM,28-AAM,30PF,300		2 INL/BA	AA64-00892Y	INLAY-BACK;PS SHEET,29F6,TO.3,K15C,S/T S	
3 R707	2001-001035	R-CARBON ;91ohm,5%,1/8W,AA,TP,1.8x3.2mm		2 DRESFB	AA65-30018A	CLAMP-WIRE,-,NYLON6.6,-,-,DATL	
3 R303	2008-001015	R-FUSIBLE;1.5OHM,5%2WAF,TP39X10		2 L/RAT	AA68-02292A	LABEL-RATING;TROJAN,ART PAPER 90,60X90mm	
3 R315	2003-002009	R-METALOXIDE(S);390OHM,5%,2W,A		2 PCK	AA69-01641A	PACKING CASE;26F6(S/A),D-2 BB,A1,710.594	
3 R317	2003-002009	R-METALOXIDE(S);390OHM,5%,2W,A		2 C/SET	AA69-01640A	CUSHION-SET;29F6(S/A),EPS,C=0.02	
3 C701	2202-000231	C-CERAMIC,MLC-AXIAL;330PF,10%,50V,Y5P,3.					
3 C704	2401-002075	C-AL;4.7uF,20%,50V,GP,TP,5x11.5mm					
3 C707	2401-002075	C-AL;4.7uF,20%,50V,GP,TP,5x11.5mm					
3 C706	2401-002300	C-ELECTROLYTIC;CE04WTAPG50V47U					
3 CR403S	2301-001301	R-CARBON,MPPF;440NF,5%,250V,TP,19X8.5X16MM					
3 R816	2001-000117	R-CARBON(S);68ohm,5%,1/2W,AA,TP,2.4x6.4m		1 A/FRNT	AA92-01389A	ASSY-CABINET,FRONT;CT29F6SWX/XAP,K15C	
3 D803	0401-000006	DIODE-SWITCHING;BAV21,250MA,400MW,50NS,2		2 F/C	AA64-02301B	CABINET-FRONT;29F6,HIPS,HB,G4309,SV704P	
3 D804	0401-000006	DIODE-SWITCHING;BAV21,250MA,400MW,50NS,2		3 INL/CT	AA64-02305C	INLAY-CONTROL;29F6,PC SHEET VO,TO.5,CLR,	
3 R803	2003-000994	R-METALOXIDE(S);33KOHM,5%,2W,AF,TP,3.9X1		2 STOPPE	AA61-40113A	STOPPER-PCB,-,ABS,HB,NTR.	
3 C806A	2201-000108	C-CERAMIC,DISC;1.5NF,10%,1KV,Y		2 D-COIL	AA27-00208A	COIL DEGAUSSING;-,-,27V,2.8MH,10%,30T,1.5	
1 A/STER	AA95-01393A	ASSY-STEREO MODULE;-NTSC		2 CRT+CF	AA60-10050V	SCREW-ASSY;WC,HH,+,M6,L30,SWRCH18A,ZPC(S)	
				2 BADGE	AA64-70117B	BADGE-BRAND;AL,SS,R2000,25,SILVER CT-633	
				2 SPK	3001-001186	SPEAKER;3W,8ohm,80#2dB,270Hz	
				2 L/SPK	AA39-20505M	LEAD-CONNECTOR;SY4XREC,R700/L350	
				2 DRESPK	AA65-30018A	CLAMP-WIRE,-,NYLON6.6,-,-,DATL	

ASSY-STEREO MODULE

ASSY-CABINET(COM)

ASSY-CABINET,FRONT

Loc. No.	Code No.	Description ; Specification	Remark
----------	----------	-----------------------------	--------

2	SPK+CF	AA60-10008A	SCREW-TAPPING;-;TH,+;M3,L10,ZP
2	L/QMS	AA68-01554A	LABEL;QMS,UARCOWHITEPAPER#1343
2	SPACER	AA60-00038A	SPACER-CRT;PS,SHEET,T1.0,BLK,OD22,ID10.
2	C/DCCI	AA65-00019A	CLAMP CORE-D,COIL;25-34,NYLON 66,V2,NTR

ASSY TBC WIRE(P)

1	A/TBC	AA98-70002E	ASSY TBC WIRE(P);-;29INCH,NTSC,1P,29F6(T
---	-------	-------------	--

ASSY-CRT

△	1	A/CRT	AA94-03710A	ASSY-CRT;TCE,A68ADT25X01,+380mG,29
	2	CRT	AA03-10026A	CRT-COLOR;A68ADT25X01,+380MG,29,111DE
	2	L/DY	AA39-20568A	LEAD CONNECTOR ASSY;YFHS06-06,S,6(4)P

Loc. No.	Code No.	Description ; Specification	Remark
----------	----------	-----------------------------	--------

ASSY-ACCESSORY

1	A/ACCS	AA97-01858A	ASSY-ACCESSORY;K15C,CT26F6,29F6SWX/XAP
2	C/WARR	AA68-00987A	CARD WARRANTY;-;W/P100;-;-;-;-A4,1P
2	BAG-PE	AA69-01195A	BAG PE;CL29A6W8X,HDPETO.012,93/4X151
2	I/B	AA68-02277A	MANUAL USERS;ENG,W/P100(G),B5,16PAGE,K1
2	I/B2	AA68-02278A	MANUAL USERS;SPA,W/P100(G),B5,16PAGE,K1
2	BATT	4301-000120	BATTERY-MN;1.5V;-;AA

REMOCON

1	RMT	AA59-10113H	REMOCON;DPTM59;-;-;-;-;AA59-10110H,
---	-----	-------------	-------------------------------------

7-6 CT26F6SWX/XAP

Loc. No.	Code No.	Description ; Specification	Remark	Loc. No.	Code No.	Description ; Specification	Remark		
ASSY-PCB,MAIN(COM)									
1	A/MAIN	AA94-05191A	ASSY-PCB,MAIN(COM);K15C,CT26F6SWX/XAP						
△	2	PC801S	0604-001032	PHOTO-COUPLER;TR,170-260%,300M	△	3	D802S	0402-001111	DIODE-RECTIFIER;1N5397GP600V,1.5A,DO-20
	2	C801	2401-002251	C-ELECTROLYTIC;CE04W200V470M/2	△	3	D803S	0402-001111	DIODE-RECTIFIER;1N5397GP600V,1.5A,DO-20
△	2	FP801S	3601-000281	FUSE-FERRULE; 250V,4A	△	3	D804S	0402-001111	DIODE-RECTIFIER;1N5397GP600V,1.5A,DO-20
△	2	V999S	3704-001105	SOCKET-CRT;11P;20PI,26.5PI,NI,-		3	D302	0402-000540	DIODE-RECTIFIER;RU20A,600V,1.5
	2	T401	AA26-50001M	HORIZ.DRIVE;-80MH,520UH,4UH,E	△	3	D805	0402-000540	DIODE-RECTIFIER;RU20A,600V,1.5
△	2	LX801S	AA29-30002F	FILTER-LINENOISE;-6MH,2.45A,-		3	D504	0402-001105	DIODE-RECTIFIER;ERB43-04SV1,40
	2	L/PQS	AA68-01018A	LABEL-PQS;-50mmX,13,-,WHITE,-		3	D502	0402-001105	DIODE-RECTIFIER;ERB43-04SV1,40
△	2	NT801S	1404-001045	THERMISTOR NTC;4.70HM,15%,2900K,35.0MW,T		3	D503	0402-001105	DIODE-RECTIFIER;ERB43-04SV1,40
△	2	SF102S	2904-001255	FILTER-SAWAV;M9261M45.75MHz,SIP5K,12.2dB	△	3	D812	0402-001105	DIODE-RECTIFIER;ERB43-04SV1,40
	2	CN601	3711-002643	POST-HEADER;YV025-04(AUTO)		3	DZ802	0403-001318	DIODE-ZENER;MTZJ4.3B,4.17-4.43V,500mW,DO
	2	IC101	1204-000506	IC-LINEAR;LA7510SIP9P		3	DZ105	0403-000508	DIODE-ZENER;MTZJ5.6B,5.6V,5.45-5.73V,500
	2	IC902	1103-001209	IC-EEPROM;AT24C04-PC27 C,512Kx8BIT,DIP8		3	DZ401	0403-000508	DIODE-ZENER;MTZJ5.6B,5.6V,5.45-5.73V,500
△	2	CX801S	2306-000318	C-FILM,MPPF;220NF,20%,250V,-,2		3	DZ811	0403-000508	DIODE-ZENER;MTZJ5.6B,5.6V,5.45-5.73V,500
	2	A/SUBM	AA97-01633A	ASSY-SUB MATERIAL;SOLVENTES Y SOLDADURAS		3	DZ901	0403-000508	DIODE-ZENER;MTZJ5.6B,5.6V,5.45-5.73V,500
	3		0204-000442	SOLVENT;CH3-CH5H-CH396%IM-1000		3	DZ903	0403-000508	DIODE-ZENER;MTZJ5.6B,5.6V,5.45-5.73V,500
	3		0202-000008	SOLDER-WIRE;S63S-D3.0,S63A,D3,63/37		3	DZ904	0403-000508	DIODE-ZENER;MTZJ5.6B,5.6V,5.45-5.73V,500
	3		0204-001024	FLUX;DF-96TVS,-,20%,-		3	DZ905	0403-000508	DIODE-ZENER;MTZJ5.6B,5.6V,5.45-5.73V,500
	3		0202-000187	SOLDER-WIREFLUX;-,RS60S,D1,2.6		3	DZ211	0403-000508	DIODE-ZENER;MTZJ5.6B,5.6V,5.45-5.73V,500
△	2	D807	0402-001375	DIODE-RECTIFIER;FFPF10U20S,200V,10A,TO-2		3	DZ806	0403-000508	DIODE-ZENER;MTZJ5.6B,5.6V,5.45-5.73V,500
	2	IC501	AA96-500311A	ASSY-H/S;- ,VIDEO,AA62-30175D,TDA6107Q,-		3	DZ201	0403-000720	DIODE-ZENER;MTZJ9.1B,9.1V,8.57-9.01V,500
	3		6003-000334	SCREW-TAPTITE;RH,+2S,M3,L6,ZP		3	DZ205	0403-000720	DIODE-ZENER;MTZJ9.1B,9.1V,8.57-9.01V,500
	3		AA62-30175D	HEATSINK-PS;- ,SECC,T1.0,- ,33X15X30FT-2		3	DZ206	0403-000720	DIODE-ZENER;MTZJ9.1B,9.1V,8.57-9.01V,500
	3		1201-001159	ICVIDEOAMP;TDA6107Q,ZIP9P,300		3	DZ306	0403-000720	DIODE-ZENER;MTZJ9.1B,9.1V,8.57-9.01V,500
△	2	CY801S	2201-002002	C-CERAMIC,DISC;4700PF,20%,400V		3	DZ307	0403-000720	DIODE-ZENER;MTZJ9.1B,9.1V,8.57-9.01V,500
△	2	IC802	AA96-00245A	ASSY H/S;- ,AA62-00055A,KA7632,-		3	DZ501	0403-000720	DIODE-ZENER;MTZJ9.1B,9.1V,8.57-9.01V,500
	3		1203-001939	IC-POSI.FIXED REG.;7632,SIP,10P,-,PLASTI		3	DZ502	0403-000720	DIODE-ZENER;MTZJ9.1B,9.1V,8.57-9.01V,500
	3		6003-000334	SCREW-TAPTITE;RH,+2S,M3,L6,ZP		3	DZ503	0403-000720	DIODE-ZENER;MTZJ9.1B,9.1V,8.57-9.01V,500
	3		AA62-00055A	HEAT SINK-PS;- ,T1.0,- ,35*15*25,D1,- ,-		3	DZ504	0403-000720	DIODE-ZENER;MTZJ9.1B,9.1V,8.57-9.01V,500
	2	IC301	AA96-00244F	ASSY H/S;- ,VERTICAL,AA62-00046A,LA7841,		3	DZ808	0403-000720	DIODE-ZENER;MTZJ9.1B,9.1V,8.57-9.01V,500
	3		0205-000129	GREASE-SILICON;SC102,JAPAN		3	R808	2001-000109	R-CARBON(S);4700HM,5%,1/2W,AA,
	3		1204-001807	IC-VERTICAL PROCESSQ;LA7841,SIP7P,708MI		3	R107	2001-000281	R-CARBON;1000HM,5%,1/8W,AA,TP,
	3		6003-000335	SCREW-TAPTITE;RH,+2S,M3,L8,ZPC(YEL),SWR		3	R211	2001-000281	R-CARBON;1000HM,5%,1/8W,AA,TP,
	3		AA62-00064A	HEAT SINK-PS;DP;- ,AA62-00046A,- ,-,		3	R223	2001-000281	R-CARBON;1000HM,5%,1/8W,AA,TP,
	2	Q401	AA96-00817A	ASSY H/S;- ,HORIZONTAL,AA62-00113A,KSC580		3	R501	2001-000281	R-CARBON;1000HM,5%,1/8W,AA,TP,
	3		0205-000129	GREASE-SILICON;SC102,JAPAN		3	R502	2001-000281	R-CARBON;1000HM,5%,1/8W,AA,TP,
	3		0502-001191	TR-POWER;KSC5802D,NPN,60000mW,TO-3P,ST,		3	R506	2001-000281	R-CARBON;1000HM,5%,1/8W,AA,TP,
	3		6003-000333	SCREW-TAPTITE;RH,+2S,M3,L10,ZPC(YEL),SW		3	R510	2001-000281	R-CARBON;1000HM,5%,1/8W,AA,TP,
	3		AA60-30001A	WASHER-PLATE;- ,M3,1D3.5,15X8.5,T1.0,- ,SB		3	R511	2001-000281	R-CARBON;1000HM,5%,1/8W,AA,TP,
	3		AA62-00113A	HEAT SINK;BH62-00041A,A1050S,T1.0,W23.0,		3	R512	2001-000281	R-CARBON;1000HM,5%,1/8W,AA,TP,
△	2	PWR/AC	AA96-20129C	ASSY-POWER,CORD;- ,EP2/YES,H/C200,ME301P,		3	R911	2001-000281	R-CARBON;1000HM,5%,1/8W,AA,TP,
	3		AA39-10007Y	POWER-CORD;- ,EP2/YES,SPT-2 18AWGx2C,2.4m		3	R912	2001-000281	R-CARBON;1000HM,5%,1/8W,AA,TP,
	3		AA61-20284A	HOLDER P CORD;PP,VO,BLK,KE-002		3	R913	2001-000281	R-CARBON;1000HM,5%,1/8W,AA,TP,
△	2	IC801S	AA96-00815A	ASSY H/S;- ,POWER,AA62-00111A,5Q0740RT,TR		3	R914	2001-000281	R-CARBON;1000HM,5%,1/8W,AA,TP,
	3		0205-000129	GREASE-SILICON;SC102,JAPAN		3	R917	2001-000281	R-CARBON;1000HM,5%,1/8W,AA,TP,
	3		1203-002466	IC-PWM CONTROLLER;KA5Q0740RT,TO220F-5L,5		3	R933	2001-000281	R-CARBON;1000HM,5%,1/8W,AA,TP,
	3		6003-000335	SCREW-TAPTITE;RH,+2S,M3,L8,ZPC(YEL),SWR		3	R934	2001-000281	R-CARBON;1000HM,5%,1/8W,AA,TP,
	3		AA62-00111A	HEAT SINK;TROJAN,AL1050 ,T1.0,W54.0,H40.		3	R942	2001-000281	R-CARBON;1000HM,5%,1/8W,AA,TP,
	2	IC601	1201-001201	IC-POWER AMP;7268,DIP,16P,300ML,DUAL,32		3	R943	2001-000281	R-CARBON;1000HM,5%,1/8W,AA,TP,
△	2	PT802S	1404-001246	THERMISTOR-PTC;1.50HM,+30/-20,110V,140VA		3	R949	2001-000281	R-CARBON;1000HM,5%,1/8W,AA,TP,
△	2	SF101S	2904-001107	FILTER-SAW AV;45.75MHz,SIP5K,TP,12.6dB,N		3	R224	2001-000290	R-CARBON;10KOHM,5%,1/8W,AA,TP,
	2	JR701	3722-001745	JACK-PIN;5P;S.VHS(9P)-,NI,YEL/WHT,RED,		3	R230	2001-000290	R-CARBON;10KOHM,5%,1/8W,AA,TP,
△	2	IC201S	AA09-00240A	IC-MOC;TDA9377PS/N2-OTP,TDA9377PS/N2,		3	R828	2001-000290	R-CARBON;10KOHM,5%,1/8W,AA,TP,
△	2	T801S	AA26-00166A	TRANS SWITCHING;EER3942,TROJIAN,120V,PM2		3	R835	2001-000290	R-CARBON;10KOHM,5%,1/8W,AA,TP,
△	2	T444S	AA26-00167A	TRANS FBT;FQH-29A001(S),CT29D4,3.5MH,130		3	R842	2001-000290	R-CARBON;10KOHM,5%,1/8W,AA,TP,
△	2	LR401S	AA27-00035A	COIL-LINEARLITY;- ,30UH,DR15X18,0.8MM,19X		3	R915	2001-000290	R-CARBON;10KOHM,5%,1/8W,AA,TP,
	2	RM901	AA32-00014A	MODULE REMOCON;346VF2,38KHZ,940MM,MESH,V		3	R918	2001-000290	R-CARBON;10KOHM,5%,1/8W,AA,TP,
△	2	TU01S	AA40-00038A	TUNER-F/S;UVS8154A-AWP,NTSC,181CH,45.75M		3	R833	2001-000290	R-CARBON;10KOHM,5%,1/8W,AA,TP,
△	2	CN501	AA39-20620D	LEAD CONNECTOR ASSY;CT29F6,UL1007#26,UL/		3	R229	2001-000429	R-CARBON;1Kohm,5%,1/8W,AA,TP,1.8x3.2mm
△	2	CR409S	2306-000255	C-FILM;CF922P1.6KV,T742-HBUP		3	R926	2001-000429	R-CARBON;1Kohm,5%,1/8W,AA,TP,1.8x3.2mm
△	2	CR410S	2306-000324	C-FILM,MPPF;3.3nf,5%,1.6KV,TP,28.5x13.5x		3	R919	2001-000429	R-CARBON;1Kohm,5%,1/8W,AA,TP,1.8x3.2mm
△	2	CR402S	2301-001091	C-FILM,MPPF;470nF,5%,400V,TP,26x21.5x14.		3	R619	2001-000429	R-CARBON;1Kohm,5%,1/8W,AA,TP,1.8x3.2mm
	2	IC701	1205-002127	IC-SWITCH;LA7016,SIP8P,877ML,PLASTIC,1		3	R940	2001-000449	R-CARBON;2.2KOHM,5%,1/8W,AA,TP
△	2	RL801S	3501-001040	RELAYPOWER;12VDC,500MW,10A,110V		3	R941	2001-000449	R-CARBON;2.2KOHM,5%,1/8W,AA,TP
	2	A/AUTO	AA94-05955A	ASSY-PCB,MAIN(AUTO);K15C;CT26F6SWX/XAP		3	R220	2001-000472	R-CARBON;2.7KOHM,5%,1/8W,AA,TP
	3	D201	0401-000005	DIODE;1N4148,100V,300mA,-,1V,8nS,TAPING		3	R901	2001-000472	R-CARBON;2.7KOHM,5%,1/8W,AA,TP
△	3	D808	0401-000005	DIODE;1N4148,100V,300mA,-,1V,8nS,TAPING		3	R903	2001-000472	R-CARBON;2.7KOHM,5%,1/8W,AA,TP
△	3	D811	0401-000005	DIODE;1N4148,100V,300mA,-,1V,8nS,TAPING		3	R907	2001-000472	R-CARBON;2.7KOHM,5%,1/8W,AA,TP
△	3	D801S	0402-001111	DIODE-RECTIFIER;1N5397GP600V,1.5A,DO-20		3	R908	2001-000472	R-CARBON;2.7KOHM,5%,1/8W,AA,TP
						3	R208	2001-000591	R-CARBON;3.3KOHM,5%,1/8W,AA,TP
						3	R830	2001-000734	R-CARBON;4.7KOHM,5%,1/8W,AA,TP
						3	R925	2001-000734	R-CARBON;4.7KOHM,5%,1/8W,AA,TP
						3	R910	2001-000734	R-CARBON;4.7KOHM,5%,1/8W,AA,TP
						3	R701	2001-000780	R-CARBON;470ohm,5%,1/8W,AA,TP,1.8x3.2mm
						3	R702	2001-000780	R-CARBON;470ohm,5%,1/8W,AA,TP,1.8x3.2mm

Loc. No.	Code No.	Description ; Specification	Remark	Loc. No.	Code No.	Description ; Specification	Remark
3	R927	2001-000793	R-CARBON;470HM,5%,1/8W,AA,TP,1	3	J108	3812-000219	WIRE-SO,COPPER;TAO.6SN/52M/M/A
3	R110	2001-000924	R-CARBON;680ohm,5%,1/8W,AA,TP,1.8x3.2mm	3	J109	3812-000219	WIRE-SO,COPPER;TAO.6SN/52M/M/A
3	R105	2001-000947	R-CARBON;7.5KOHM,5%,1/8W,AA,TP	3	J125	3812-000219	WIRE-SO,COPPER;TAO.6SN/52M/M/A
3	R222	2001-000947	R-CARBON;7.5KOHM,5%,1/8W,AA,TP	3	J129	3812-000219	WIRE-SO,COPPER;TAO.6SN/52M/M/A
3	R805	2001-001170	R-CARBON(S);6.80HM,5%,1/2W,AB,	3	J131	3812-000219	WIRE-SO,COPPER;TAO.6SN/52M/M/A
3	R850	2001-001170	R-CARBON(S);6.80HM,5%,1/2W,AB,	3	J150	3812-000219	WIRE-SO,COPPER;TAO.6SN/52M/M/A
3	R831	2001-001192	R-CARBON(S);8200HM,5%,1/2W,AB,	3	J157	3812-000219	WIRE-SO,COPPER;TAO.6SN/52M/M/A
△	RY801S	2002-001012	R-COMPOSITION;8.2M0hm,5%,1/2W,AA,TP,3.7X	3	J173	3812-000219	WIRE-SO,COPPER;TAO.6SN/52M/M/A
3	R302	2004-004366	R-METAL(S);1.3Kohm,1%,1/2W,AA,TP,2.5x6.5	3	J175	3812-000219	WIRE-SO,COPPER;TAO.6SN/52M/M/A
3	R306	2004-004366	R-METAL(S);1.3Kohm,1%,1/2W,AA,TP,2.5x6.5	3	J201	3812-000219	WIRE-SO,COPPER;TAO.6SN/52M/M/A
3	C908	2201-000573	C-CERAMIC,DISC;47PF,5%,50V,NPO	3	J203	3812-000219	WIRE-SO,COPPER;TAO.6SN/52M/M/A
3	C909	2201-000573	C-CERAMIC,DISC;47PF,5%,50V,NPO	3	J205	3812-000219	WIRE-SO,COPPER;TAO.6SN/52M/M/A
3	C408	2201-000599	C-CERAMIC,DISC;560PF,10%,500V,	3	J208	3812-000219	WIRE-SO,COPPER;TAO.6SN/52M/M/A
3	C811	2201-000599	C-CERAMIC,DISC;560PF,10%,500V,	3	J209	3812-000219	WIRE-SO,COPPER;TAO.6SN/52M/M/A
3	C105	2202-000127	C-CERAMIC,MLC-AXIAL;10NF,+80-2	3	J210	3812-000219	WIRE-SO,COPPER;TAO.6SN/52M/M/A
3	C106	2202-000127	C-CERAMIC,MLC-AXIAL;10NF,+80-2	3	J211	3812-000219	WIRE-SO,COPPER;TAO.6SN/52M/M/A
3	C111	2202-000127	C-CERAMIC,MLC-AXIAL;10NF,+80-2	3	J212	3812-000219	WIRE-SO,COPPER;TAO.6SN/52M/M/A
3	C223	2202-000796	C-CERAMIC,MLC-AXIAL;1NF,10%,50	3	J213	3812-000219	WIRE-SO,COPPER;TAO.6SN/52M/M/A
3	C224	2202-000796	C-CERAMIC,MLC-AXIAL;1NF,10%,50	3	J301	3812-000219	WIRE-SO,COPPER;TAO.6SN/52M/M/A
3	C604	2301-000192	C-FILM,PEF;1NF,5%,50V,5.3X10MM	3	J304	3812-000219	WIRE-SO,COPPER;TAO.6SN/52M/M/A
3	C609	2301-000192	C-FILM,PEF;1NF,5%,50V,5.3X10MM	3	J305	3812-000219	WIRE-SO,COPPER;TAO.6SN/52M/M/A
3	C109	2301-000224	C-FILM,PEF;22NF,5%,50V,7.4X3.9	3	J307	3812-000219	WIRE-SO,COPPER;TAO.6SN/52M/M/A
3	C804	2301-000224	C-FILM,PEF;22NF,5%,50V,7.4X3.9	3	J308	3812-000219	WIRE-SO,COPPER;TAO.6SN/52M/M/A
3	C810	2301-000224	C-FILM,PEF;22NF,5%,50V,7.4X3.9	3	J312	3812-000219	WIRE-SO,COPPER;TAO.6SN/52M/M/A
3	C805	2301-000235	C-FILM,PEF;3.9NF,5%,50V,6.5X3.0X5.5MM,5M	3	J402	3812-000219	WIRE-SO,COPPER;TAO.6SN/52M/M/A
3	C227	2301-000445	C-FILM,PEF;4.7nF,5%,50V,TP,5.5x7x3mm,5mm	3	J405	3812-000219	WIRE-SO,COPPER;TAO.6SN/52M/M/A
3	C248	2301-000445	C-FILM,PEF;4.7nF,5%,50V,TP,5.5x7x3mm,5mm	3	J408	3812-000219	WIRE-SO,COPPER;TAO.6SN/52M/M/A
3	C207	2305-000412	C-FILM,MPEF;470NF,5%,63V,-,5MM	3	J420	3812-000219	WIRE-SO,COPPER;TAO.6SN/52M/M/A
3	C911	2305-000412	C-FILM,MPEF;470NF,5%,63V,-,5MM	3	J601	3812-000219	WIRE-SO,COPPER;TAO.6SN/52M/M/A
3	C103	2305-000665	C-FILM;104J, 60V,5MM TAPING	3	J602	3812-000219	WIRE-SO,COPPER;TAO.6SN/52M/M/A
3	C208	2305-000665	C-FILM;104J, 60V,5MM TAPING	3	J603	3812-000219	WIRE-SO,COPPER;TAO.6SN/52M/M/A
3	C210	2305-000665	C-FILM;104J, 60V,5MM TAPING	3	J604	3812-000219	WIRE-SO,COPPER;TAO.6SN/52M/M/A
3	C218	2305-000665	C-FILM;104J, 60V,5MM TAPING	3	J705	3812-000219	WIRE-SO,COPPER;TAO.6SN/52M/M/A
3	C230	2305-000665	C-FILM;104J, 60V,5MM TAPING	3	J706	3812-000219	WIRE-SO,COPPER;TAO.6SN/52M/M/A
3	C803	2305-000665	C-FILM;104J, 60V,5MM TAPING	3	J715	3812-000219	WIRE-SO,COPPER;TAO.6SN/52M/M/A
3	C819	2305-000665	C-FILM;104J, 60V,5MM TAPING	3	J716	3812-000219	WIRE-SO,COPPER;TAO.6SN/52M/M/A
3	C913	2305-000665	C-FILM;104J, 60V,5MM TAPING	3	J717	3812-000219	WIRE-SO,COPPER;TAO.6SN/52M/M/A
3	C916	2305-000665	C-FILM;104J, 60V,5MM TAPING	3	J721	3812-000219	WIRE-SO,COPPER;TAO.6SN/52M/M/A
3	C920	2305-000665	C-FILM;104J, 60V,5MM TAPING	3	J802	3812-000219	WIRE-SO,COPPER;TAO.6SN/52M/M/A
3	C821	2401-000302	C-AL;100UF,20%,25V,GP,6X11MM,5	3	J803	3812-000219	WIRE-SO,COPPER;TAO.6SN/52M/M/A
3	C823	2401-000302	C-AL;100UF,20%,25V,GP,6X11MM,5	3	J805	3812-000219	WIRE-SO,COPPER;TAO.6SN/52M/M/A
3	C915	2401-000302	C-AL;100UF,20%,25V,GP,6X11MM,5	3	J806	3812-000219	WIRE-SO,COPPER;TAO.6SN/52M/M/A
3	C104	2401-000480	C-AL;10UF,20%,50V,GP,5X11MM,5M	3	J807	3812-000219	WIRE-SO,COPPER;TAO.6SN/52M/M/A
3	C203	2401-000480	C-AL;10UF,20%,50V,GP,5X11MM,5M	3	J808	3812-000219	WIRE-SO,COPPER;TAO.6SN/52M/M/A
3	C650	2401-000480	C-AL;10UF,20%,50V,GP,5X11MM,5M	3	J809	3812-000219	WIRE-SO,COPPER;TAO.6SN/52M/M/A
3	C651	2401-000480	C-AL;10UF,20%,50V,GP,5X11MM,5M	3	J810	3812-000219	WIRE-SO,COPPER;TAO.6SN/52M/M/A
3	C820	2401-000480	C-AL;10UF,20%,50V,GP,5X11MM,5M	3	J812	3812-000219	WIRE-SO,COPPER;TAO.6SN/52M/M/A
3	C219	2401-000603	C-AL;1UF,20%,50V,GP,5X11MM,5MM	3	J813	3812-000219	WIRE-SO,COPPER;TAO.6SN/52M/M/A
3	C601	2401-000703	C-ELEC;CE04-40/8525VT222-MWSD	3	J816	3812-000219	WIRE-SO,COPPER;TAO.6SN/52M/M/A
3	C815	2401-000703	C-ELEC;CE04-40/8525VT222-MWSD	3	J818	3812-000219	WIRE-SO,COPPER;TAO.6SN/52M/M/A
3	C802	2401-001192	C-AL;33UF,20%,50V,GP,6X11MM,5MM,TP	3	J820	3812-000219	WIRE-SO,COPPER;TAO.6SN/52M/M/A
3	L103	2701-000114	INDUCTOR-AXIAL;10UH,10%,2.5X3.	3	J901	3812-000219	WIRE-SO,COPPER;TAO.6SN/52M/M/A
3	L104	2701-000114	INDUCTOR-AXIAL;10UH,10%,2.5X3.	3	J902	3812-000219	WIRE-SO,COPPER;TAO.6SN/52M/M/A
3	L202	2701-000114	INDUCTOR-AXIAL;10UH,10%,2.5X3.	3	J903	3812-000219	WIRE-SO,COPPER;TAO.6SN/52M/M/A
3	L902	2701-000158	INDUCTOR-AXIAL;22UH,10%,2.5X3.	3	J904	3812-000219	WIRE-SO,COPPER;TAO.6SN/52M/M/A
3	L903	2701-000158	INDUCTOR-AXIAL;22UH,10%,2.5X3.	3	J905	3812-000219	WIRE-SO,COPPER;TAO.6SN/52M/M/A
3	L904	2701-000158	INDUCTOR-AXIAL;22UH,10%,2.5X3.	3	JP02	3812-000219	WIRE-SO,COPPER;TAO.6SN/52M/M/A
3	L402	2901-000297	FILTER-EMI ON BOARD;-;3A,-,-,3.5x5,TP,-	3	L703	3812-000219	WIRE-SO,COPPER;TAO.6SN/52M/M/A
△	L403	2901-000297	FILTER-EMI ON BOARD;-;3A,-,-,3.5x5,TP,-	3	R405	3812-000219	WIRE-SO,COPPER;TAO.6SN/52M/M/A
3	L806	2901-000297	FILTER-EMI ON BOARD;-;3A,-,-,3.5x5,TP,-	3	R507	3812-000219	WIRE-SO,COPPER;TAO.6SN/52M/M/A
3	L808	2901-000297	FILTER-EMI ON BOARD;-;3A,-,-,3.5x5,TP,-	3	R508	3812-000219	WIRE-SO,COPPER;TAO.6SN/52M/M/A
3	SW901	3404-000244	SWITCH-TACT;15V,20MA,90-170GF,	3	R509	3812-000219	WIRE-SO,COPPER;TAO.6SN/52M/M/A
3	SW902	3404-000244	SWITCH-TACT;15V,20MA,90-170GF,	3	L704	3812-000219	WIRE-SO,COPPER;TAO.6SN/52M/M/A
3	SW903	3404-000244	SWITCH-TACT;15V,20MA,90-170GF,	3	J608	3812-000219	WIRE-SO,COPPER;TAO.6SN/52M/M/A
3	SW904	3404-000244	SWITCH-TACT;15V,20MA,90-170GF,	3	J607	3812-000219	WIRE-SO,COPPER;TAO.6SN/52M/M/A
3	SW905	3404-000244	SWITCH-TACT;15V,20MA,90-170GF,	3	J218	3812-000219	WIRE-SO,COPPER;TAO.6SN/52M/M/A
3	SWN01	3404-000244	SWITCH-TACT;15V,20MA,90-170GF,	3	J214	3812-000219	WIRE-SO,COPPER;TAO.6SN/52M/M/A
3	F801B	3602-000114	FUSE-HOLDER;-;30MOHM	3	J821	3812-000219	WIRE-SO,COPPER;TAO.6SN/52M/M/A
3	F801A	3602-000114	FUSE-HOLDER;-;30MOHM	3	J423	3812-000219	WIRE-SO,COPPER;TAO.6SN/52M/M/A
3	C507	3812-000219	WIRE-SO,COPPER;TAO.6SN/52M/M/A	3	J409	3812-000219	WIRE-SO,COPPER;TAO.6SN/52M/M/A
3	C508	3812-000219	WIRE-SO,COPPER;TAO.6SN/52M/M/A	3	R601	3812-000219	WIRE-SO,COPPER;TAO.6SN/52M/M/A
3	DZ804	3812-000219	WIRE-SO,COPPER;TAO.6SN/52M/M/A	3	J217	3812-000219	WIRE-SO,COPPER;TAO.6SN/52M/M/A
3	J101	3812-000219	WIRE-SO,COPPER;TAO.6SN/52M/M/A	3	J712	3812-000219	WIRE-SO,COPPER;TAO.6SN/52M/M/A
3	J104	3812-000219	WIRE-SO,COPPER;TAO.6SN/52M/M/A	3	J814	3812-000219	WIRE-SO,COPPER;TAO.6SN/52M/M/A
3	J105	3812-000219	WIRE-SO,COPPER;TAO.6SN/52M/M/A	3	R422	3812-000219	WIRE-SO,COPPER;TAO.6SN/52M/M/A
3	J106	3812-000219	WIRE-SO,COPPER;TAO.6SN/52M/M/A	3	J817	3812-000219	WIRE-SO,COPPER;TAO.6SN/52M/M/A
3	J107	3812-000219	WIRE-SO,COPPER;TAO.6SN/52M/M/A	3	J823	3812-000219	WIRE-SO,COPPER;TAO.6SN/52M/M/A

Loc. No.	Code No.	Description ; Specification	Remark	Loc. No.	Code No.	Description ; Specification	Remark
3	EY401	AA60-40011A EYELET; ;ID2.0,OD2.8,-,-,BST		3	L205	2701-000159 INDUCTORAXIAL;22uH,10%,4.2x9.8mm	
3	EY402	AA60-40011A EYELET; ;ID2.0,OD2.8,-,-,BST		3	L303	2701-000159 INDUCTORAXIAL;22uH,10%,4.2x9.8mm	
3	EY403	AA60-40011A EYELET; ;ID2.0,OD2.8,-,-,BST		3	L304	2701-000159 INDUCTORAXIAL;22uH,10%,4.2x9.8mm	
3	EY404	AA60-40011A EYELET; ;ID2.0,OD2.8,-,-,BST		3	L206	3301-000287 CORE-FERRITEBEAD;AA,3.5X1.0X6.	
3	EY405	AA60-40011A EYELET; ;ID2.0,OD2.8,-,-,BST		3	L406	3301-000287 CORE-FERRITEBEAD;AA,3.5X1.0X6.	
3	EY406	AA60-40011A EYELET; ;ID2.0,OD2.8,-,-,BST		3	L802	3301-000287 CORE-FERRITEBEAD;AA,3.5X1.0X6.	
3	EY412	AA60-40011A EYELET; ;ID2.0,OD2.8,-,-,BST		3	L803	3301-000287 CORE-FERRITEBEAD;AA,3.5X1.0X6.	
3	EY414	AA60-40011A EYELET; ;ID2.0,OD2.8,-,-,BST		3	R408	3301-000287 CORE-FERRITEBEAD;AA,3.5X1.0X6.	
3	EY416	AA60-40011A EYELET; ;ID2.0,OD2.8,-,-,BST		3	J102	2701-000142 INDUCTOR-AXIAL;1UH,10%,2.5X3.4	
3	EY417	AA60-40011A EYELET; ;ID2.0,OD2.8,-,-,BST		3	J103	2701-000142 INDUCTOR-AXIAL;1UH,10%,2.5X3.4	
3	EY418	AA60-40011A EYELET; ;ID2.0,OD2.8,-,-,BST		3	L301	2701-000142 INDUCTOR-AXIAL;1UH,10%,2.5X3.4	
3	EY419	AA60-40011A EYELET; ;ID2.0,OD2.8,-,-,BST		3	L302	2701-000142 INDUCTOR-AXIAL;1UH,10%,2.5X3.4	
3	EY420	AA60-40011A EYELET; ;ID2.0,OD2.8,-,-,BST		3	L404	2701-000142 INDUCTOR-AXIAL;1UH,10%,2.5X3.4	
3	EY421	AA60-40011A EYELET; ;ID2.0,OD2.8,-,-,BST		3	Q201	0501-000283 TRANSISTOR;KSA539-Y(TAPG)/YTAM	
3	EY801	AA60-40011A EYELET; ;ID2.0,OD2.8,-,-,BST		3	Q202	0501-000389 TRANSISTOR;KSC815-Y(TAPG)/YTAM	
3	EY802	AA60-40011A EYELET; ;ID2.0,OD2.8,-,-,BST		3	Q802	0501-000389 TRANSISTOR;KSC815-Y(TAPG)/YTAM	
3	EY803	AA60-40011A EYELET; ;ID2.0,OD2.8,-,-,BST		3	Q603	0501-000389 TRANSISTOR;KSC815-Y(TAPG)/YTAM	
3	EY804	AA60-40011A EYELET; ;ID2.0,OD2.8,-,-,BST		3	R101	2001-000554 R-CARBON;270OHM,5%,1/8W,AA,TP	
3	EY701	AA60-40011A EYELET; ;ID2.0,OD2.8,-,-,BST		3	R102	2001-000554 R-CARBON;270OHM,5%,1/8W,AA,TP	
3	EY702	AA60-40011A EYELET; ;ID2.0,OD2.8,-,-,BST		3	R109	2001-000786 R-CARBON;47KOHM,5%,1/8W,AA,TP	
3	EL403	AA60-40011B EYELET; ;ID2.2,OD3.2,-,-,BSP		3	R202	2001-000645 R-CARBON;330KOHM,5%,1/8W,AA,TP	
3	EL801	AA60-40011B EYELET; ;ID2.2,OD3.2,-,-,BSP		3	R203	2001-000857 R-CARBON;560OHM,5%,1/8W,AA,TP	
3	EL802	AA60-40011B EYELET; ;ID2.2,OD3.2,-,-,BSP		3	R829	2001-000563 R-CARBON;27KOHM,5%,1/8W,AA,TP,1.8X3.2MM	
3	GT301	AA60-40014A PIN-GT,ASSY;1P,-,-,AUTO		3	R207	2001-000005 R-CARBON;390OHM,5%,1/8W,AA,TP	
3	GT302	AA60-40014A PIN-GT,ASSY;1P,-,-,AUTO		3	R905	2001-000005 R-CARBON;390OHM,5%,1/8W,AA,TP	
3	GT401	AA60-40014A PIN-GT,ASSY;1P,-,-,AUTO		3	R906	2001-000005 R-CARBON;390OHM,5%,1/8W,AA,TP	
3	GT402	AA60-40014A PIN-GT,ASSY;1P,-,-,AUTO		3	R210	2001-000969 R-CARBON;75OHM,5%,1/8W,AA,TP,1	
3	GT502	AA60-40014A PIN-GT,ASSY;1P,-,-,AUTO		3	R212	2001-000969 R-CARBON;75OHM,5%,1/8W,AA,TP,1	
3	GT801	AA60-40014A PIN-GT,ASSY;1P,-,-,AUTO		3	R714	2001-000969 R-CARBON;75OHM,5%,1/8W,AA,TP,1	
3	GT802	AA60-40014A PIN-GT,ASSY;1P,-,-,AUTO		3	R712	2001-000969 R-CARBON;75OHM,5%,1/8W,AA,TP,1	
3	GT803	AA60-40014A PIN-GT,ASSY;1P,-,-,AUTO		3	R214	2001-000490 R-CARBON;200OHM,5%,1/8W,AA,TP	
3	GT804	AA60-40014A PIN-GT,ASSY;1P,-,-,AUTO		3	R902	2001-000241 R-CARBON;1.5KOHM,5%,1/8W,AA,TP	
3	GT805	AA60-40014A PIN-GT,ASSY;1P,-,-,AUTO		3	R904	2001-000241 R-CARBON;1.5KOHM,5%,1/8W,AA,TP	
3	GT403	AA60-40014A PIN-GT,ASSY;1P,-,-,AUTO		3	R219	2004-001914 R-METAL;39KOHM,2%,1/8W,AA,TP,1	
3	L/LINE	AA68-01544A LABEL;LINE,ALL MDL COMMON		3	R227	2001-000739 R-CARBON;4.7MOHM,5%,1/8W,AA,TP	
3	C121	2202-000286 C-CERAMIC,MLC-AXIAL;56PF,5%,50		3	R228	2001-000739 R-CARBON;4.7MOHM,5%,1/8W,AA,TP	
3	C215	2305-000289 C-FILM,MPEF;220NF,5%,63V,-,5MM		3	R301	2001-000016 R-CARBON(S);10HM,5%,1/2W,AA,TP	
3	C216	2305-000289 C-FILM,MPEF;220NF,5%,63V,-,5MM		3	R825	2008-000266 R-FUSIBLE(S);10HM,5%,2W,AF,TP	
3	C233	2305-000289 C-FILM,MPEF;220NF,5%,63V,-,5MM		3	R421	2008-000266 R-FUSIBLE(S);10HM,5%,2W,AF,TP	
3	C234	2305-000289 C-FILM,MPEF;220NF,5%,63V,-,5MM		3	R823	2001-001199 R-CARBON(S);91OHM,5%,1/2W,AA,T	
3	C205	2305-000289 C-FILM,MPEF;220NF,5%,63V,-,5MM		3	R411	2001-001114 R-CARBON(S);270OHM,5%,1/2W,AA	
3	R425	2008-000299 R-FUSIBLE;RF2RT470-J		3	R403	2003-002151 R-METALOXIDE;18KOHM,5%,2W,AG,TP,6X16	
3	C407	2301-000383 C-FILM,PEF;10nF,5%,50V,TP;6x7x3.2mm,5mm		3	R402	2003-000540 R-METALOXIDE(S);1KOHM,5%,2W,AD	
3	C406	2401-002619 C-AL;47uF,20%,25V,GP,TP;5x11,5		3	R304	2008-001011 R-FUSIBLE(S);0.180HM,10%,2W,AF	
3	C221	2401-000660 C-ELECTROLYTIC;CE04WTPAG50V2.2		3	R305	2008-001011 R-FUSIBLE(S);0.180HM,10%,2W,AF	
3	C217	2301-000342 C-FILM,PEF;2.2nF,5%,50V,TP;7.4x3.9x13mm,		3	R424	2004-001402 R-METAL(S);6.8KOHM,1%,1/2W,AA	
3	C225	2309-000138 C-FILM,PE-PPF;100NF,5%,50V,TP		3	R315	2003-002009 R-METALOXIDE(S);390OHM,5%,2W,A	
3	C309	2301-000254 C-FILM,PEF;39NF,5%,50V,7.5X3.5X6.5MM,5MM		3	R316	2003-002009 R-METALOXIDE(S);390OHM,5%,2W,A	
3	C302	2201-000259 C-CERAMIC,DISC;180PF,10%,500V,Y5P;6X4MM,		3	R317	2003-002009 R-METALOXIDE(S);390OHM,5%,2W,A	
3	C308	2401-000365 C-AL;100uF,20%,50V,W,TP,10x12.5mm,		3	R501H	2002-001009 R-COMPOSITION;2.7KOHM,10%,1/2W,AA,TP,3.7	
3	C301	2305-000285 C-FILM,MPEF;220NF,5%,100V,-,5M		3	R502H	2002-001009 R-COMPOSITION;2.7KOHM,10%,1/2W,AA,TP,3.7	
3	C312	2305-000149 C-FILM;CF922N100VT104-J-40/105		3	R503	2002-001009 R-COMPOSITION;2.7KOHM,10%,1/2W,AA,TP,3.7	
△	CR405S	2305-000382 C-FILM,MPEF;4.7nF,5%,400V,TP,-,5MM,		3	R504	2001-001062 R-CARBON(S);10MOHM,5%,1/2W,AA,T	
△	CR404S	2201-000639 C-CERAMIC,DISC;680PF,10%,2KV,Y5P,-,5MM,T		3	R407	2003-000586 R-METALOXIDE(S);22KOHM,5%,2W,A	
3	C607	2401-001397 C-AL;470UF,20%,25V,GP,10X16MM,		3	R410	2003-000586 R-METALOXIDE(S);22KOHM,5%,2W,A	
3	C608	2401-001397 C-AL;470UF,20%,25V,GP,10X16MM,		3	R414	2001-001078 R-CARBON(S);15KOHM,5%,1/2W,AA	
3	C420	2301-001065 C-FILM,MPPF;47NF;55,630V,TP,19		3	R840	2001-001078 R-CARBON(S);15KOHM,5%,1/2W,AA	
3	C505	2202-000825 C-CERAMIC,MLC-AXIAL;680PF,10%,50V,Y5P,TP		3	R821	2001-001131 R-CARBON(S);33KOHM,5%,1/2W,AA	
3	C506	2401-000430 C-ELECTROLYTIC;CE04WTPAG250V10		3	R822	2004-001983 R-METAL;2.49KOHM,1%,1/2W,AA,TP,2.4X6.4	
3	C504	2401-001232 C-AL;4.7UF,20%,250V,GP,10X12.5		3	C226	2202-000829 C-CERAMIC,MLC-AXIAL;820PF,10%,50V,Y5P,TP	
3	C503	2201-000723 C-CERAMIC,DISC;4.7nF,20%,3KV,Y5U,TP,16x5		3	D501	0402-000254 DIODE-RECTIFIER;RGP10J,600V,1A,DO-41	
3	C812	2401-000262 C-AL;100UF,20%,160V,GP,16X25MM,5MM,		3	R225	2001-000325 R-CARBON;120OHM,5%,1/8W,AA,TP	
3	D304	0402-000546 DIODE-RECTIFIER;TVR10G,400V,1.		3	R824	2008-000294 R-FUSIBLE;330HM,5%,2W,AF,TP,3.	
3	D401	0402-000493 DIODE-RECTIFIER;1R5GU41,400V,1		3	R827	2003-000998 R-METALOXIDE;300OHM,5%,2W,AF,T	
3	D303	0402-001321 DIODE-RECTIFIER;1A4G,400,1A,R-1,TP		3	Z201	2903-000129 FILTER-CERAMIC;BP,4.54MHZ	
△	D809	0402-001321 DIODE-RECTIFIER;1A4G,400,1A,R-1,TP		3	C402	2201-000132 C-CERAMIC,DISC;100PF,10%,500V,Y5P;6X3MM,	
3	D902	0402-001321 DIODE-RECTIFIER;1A4G,400,1A,R-1,TP		3	IC803	1203-001217 IC-POST,ADJUSTREG;431,T0-92,3P,4.58MIL,P	
3	D301	0402-000534 DIODE-RECTIFIER;RG10V,400V,1.5		3	R409	2001-000020 R-CARBON(S);22OHM,5%,1/2W,AA,T	
3	DZ301	0403-001328 DIODE-ZENER;MTZJ22A,20.15-21.20V,500mW,D		3	R834	2003-001040 R-METALOXIDE(S);47Kohm,5%,2W,AF,TP,3.9x1	
3	DZ305	0403-001328 DIODE-ZENER;MTZJ22A,20.15-21.20V,500mW,D		3	Q402	0501-000369 TRANSISTOR;KSC2331-Y(TAPG)	
3	DZ302	0403-001329 DIODE-ZENER;MTZJ24B,22.61-23.77V,500mW,		3	Q951	0501-000369 TRANSISTOR;KSC2331-Y(TAPG)	
3	DZ310	0403-001221 DIODE-ZENER;UZ39BSB,35.36-37.19V,500MW,D		3	R206	2001-000010 R-CARBON;68Kohm,5%,1/8W,AA,TP,1.8x3.2mm	
3	DZ101	0403-000700 DIODE-ZENER;TZP33A,33V,31-35V,		3	R620	2001-000273 R-CARBON;100KOHM,5%,1/8W,AA,TP	
3	DZ303	0403-000700 DIODE-ZENER;TZP33A,33V,31-35V,		3	R621	2001-000273 R-CARBON;100KOHM,5%,1/8W,AA,TP	
3	DZ801	0403-001140 DIODE-ZENER;RD10ESAB-T4,10V,9.19-10.30V,		3	R205	2001-000397 R-CARBON;180KOHM,5%,1/8W,AA,TP	
3	DZ805	0403-001327 DIODE-ZENER;MTZJ18A,16.22-17.06V,500mW,D		3	R218	2001-000522 R-CARBON;22KOHM,5%,1/8W,AA,TP	
△	FD801S	3601-001086 FUSE-AXIAL LEAD;125V,5A,FAST-ACTING,GLAS		3	R603	2001-000890 R-CARBON;6.8KOHM,5%,1/8W,AA,TP	

Loc. No.	Code No.	Description ; Specification	Remark
3	R604	2001-000890	R-CARBON;6.8KOHM,5%,1/8W,AA,TP
3	R819	2001-001088	R-CARBON(S);1KOHM,5%,1/2W,AA,TP,2.4X6.4
3	R820	2001-001088	R-CARBON(S);1KOHM,5%,1/2W,AA,TP,2.4X6.4
3	R832	2001-001088	R-CARBON(S);1KOHM,5%,1/2W,AA,TP,2.4X6.4
3	R818	2001-001154	R-CARBON(S);5.1KOHM,5%,1/2W,AB
△	3 RP801S	2002-001010	R-COMPOSITION;1.8MOHM,5%,1/2W,AA,TP,3.7X
3	R413	2003-000664	R-METAL OXIDE(S);330HM,5%,2W,AF,TP,4X12M
3	R802	2003-000664	R-METAL OXIDE(S);330HM,5%,2W,AF,TP,4X12M
3	R817	2004-001889	R-METAL(S);127KOHM,1%,1/2W,AA,TP,2.5X6.5
3	R505	2008-000206	R-FUSIBLE(S);10HM,5%,1/2W,AF,T
3	R307	2008-001013	R-FUSIBLE(S);1.2ohm,5%,2W,AF,TP,3.9x10mm
3	R303	2008-001013	R-FUSIBLE(S);1.2ohm,5%,2W,AF,TP,3.9x10mm
3	C602	2201-000982	C-CERAMIC,DISC;10NF,+80-20%,50
3	C705	2201-000982	C-CERAMIC,DISC;10NF,+80-20%,50
3	C501	2201-000193	C-CERAMIC,DISC;10PF,0.25PF,50V
3	C906	2201-000292	C-CERAMIC,DISC;1NF,10%,50V,Y5P
3	C816	2201-000375	C-CERAMIC,DISC;220PF,5%,50V,RH
3	C211	2202-000632	C-CERAMIC,MLC-AXIAL;100nF,20%,50V,Z5U,TP
3	C222	2401-000215	C-AL;100NF,20%,50V,4X7MM,5MM,T
3	C110	2401-000914	C-AL;22UF,20%,16V,GP,5X11,5,TP
3	C119	2401-001333	C-ELECTROLYTIC;CE04WTPAG50V0.4
3	C120	2401-001333	C-ELECTROLYTIC;CE04WTPAG50V0.4
3	C702	2401-001333	C-ELECTROLYTIC;CE04WTPAG50V0.4
3	C703	2401-001333	C-ELECTROLYTIC;CE04WTPAG50V0.4
3	C113	2401-001840	C-AL;100UF,20%,16V,GP,TP,6.3X1
3	C209	2401-001840	C-AL;100UF,20%,16V,GP,TP,6.3X1
3	C213	2401-001840	C-AL;100UF,20%,16V,GP,TP,6.3X1
3	C229	2401-001840	C-AL;100UF,20%,16V,GP,TP,6.3X1
3	C903	2401-001840	C-AL;100UF,20%,16V,GP,TP,6.3X1
3	C910	2401-001840	C-AL;100UF,20%,16V,GP,TP,6.3X1
3	C901	2401-001537	C-AL;47UF,20%,25V,GP,6.3X7MM,5
3	C827	2401-000040	C-ALUMINUM;47UF,20%,250V,WT16*25MM,7EA
3	C605	2401-001914	C-AL;1uF,20%,50V,BP,TP,5x11,5
3	C610	2401-001914	C-AL;1uF,20%,50V,BP,TP,5x11,5
3	C220	2401-002235	C-ELECTROLYTIC;CE04W(T)16V10M
3	C231	2401-002235	C-ELECTROLYTIC;CE04W(T)16V10M
3	C403	2401-002268	C-ELEC;CE04-40/10525VT2R2-MWR
3	C304	2401-002288	C-ELEC;CE04-55/10525VT471-MWRG
3	C306	2401-002288	C-ELEC;CE04-55/10525VT471-MWRG
3	C818	2401-003028	C-AL;100UF,20%,25V,GP,TP,6.3X1
3	C817	2401-003028	C-AL;100UF,20%,25V,GP,TP,6.3X1
3	L203	2701-000127	INDUCTOR-AXIAL;15UH,10%,2.5X3.
3	L804	2701-001030	INDUCTOR-AXIAL;43uH,10%,14x4.5mm
3	L102	2702-000142	INDUCTOR-RADIAL;22uH,5%,6x6.4mm
3	L201	2702-000142	INDUCTOR-RADIAL;22uH,5%,6x6.4mm
3	C502	2301-000213	C-FILM,PEF;220NF,5%,250V,21.5X
3	C228	2401-000027	C-AL;4.7UF,20%,50V,GP,5*11MM,5MEA
3	C611	2401-000027	C-AL;4.7UF,20%,50V,GP,5*11MM,5MEA
3	C813	2401-002290	C-AL;47uF,20%,160V,GP,TP,13x20,5
3	C101	2401-002183	C-AL;220uF,20%,16V,GP,TP,8x9,5mm
3	C307	2401-000365	C-AL;100UF,20%,50V,WT,TP,10x12.5mm,
3	R602	2001-000890	R-CARBON;6.8KOHM,5%,1/8W,AA,TP
3	R607	2001-000890	R-CARBON;6.8KOHM,5%,1/8W,AA,TP
3	C614	2301-000232	C-FILM,PEF;3.3NF,5%,50V,8.1X4.
3	C613	2301-000232	C-FILM,PEF;3.3NF,5%,50V,8.1X4.
3	PCB	AA41-00572A	PCB-MAIN;29F6,FR-1.1LA,1.6T,245X245,K1
3	R423	2004-005045	R-METAL;75KOHM,1%,1/2W,AA,TP,2.4X6.4MM
3	R610	2008-001076	R-FUSIBLE(S);1.8ohm,5%,2W,AF,TP,3.9x10mm
3	R612	2008-001076	R-FUSIBLE(S);1.8ohm,5%,2W,AF,TP,3.9x10mm
3	R707	2001-001035	R-CARBON ;91ohm,5%,1/8W,AA,TP,1.8x3.2mm
3	X901	2801-003433	CRYSTAL-UNIT;12MHZ,30PPM,28-AAAM,30PF,300
3	C701	2202-000231	C-CERAMIC,MLC-AXIAL;330PF,10%,50V,Y5P,3.
3	C704	2401-002075	C-AL;4.7uF,20%,50V,GP,TP,5x11,5mm
3	C707	2401-002075	C-AL;4.7uF,20%,50V,GP,TP,5x11,5mm
3	C706	2401-002300	C-ELECTROLYTIC;CE04WTPAG50V47U
3	R816	2001-000117	R-CARBON(S);88ohm,5%,1/2W,AA,TP,2.4x6.4mm
3	D803	0401-000006	DIODE-SWITCHING;BAV21,250MA,400MW,50NS,2
3	D804	0401-000006	DIODE-SWITCHING;BAV21,250MA,400MW,50NS,2
3	R803	2003-000994	R-METALOXIDE(S);33KOHM,5%,2W,AF,TP,3.9X1
3	C806A	2201-000108	C-CERAMIC,DISC;1.5NF,10%,1KV,Y

ASSY-STEREO MODULE

1 A/SOUN AA95-01393A ASSY-STEREO MODULE;,NTSC

Loc. No.	Code No.	Description ; Specification	Remark
2	CNS03	AA61-10068A	BRACKET-PCB;-SPT,-,T0.3,-,-
2	CNS02	3711-002706	PIN-HEADER;YFAW025-108(8PIN2.5M/M)20.0
2	ICS01	1204-001662	IC-SOUND PROCESSOR;MSP3425G-B7,DIP,52P5
2	CNS01	3711-002708	CONNECTOR-HEADER,NOWALL,10P,1R,2.5mm,ANG
2	RS02	2001-000281	R-CARBON;100OHM,5%,1/8W,AA,TP
2	RS03	2001-000281	R-CARBON;100OHM,5%,1/8W,AA,TP
2	RS04	2001-000290	R-CARBON;1KOHM,5%,1/8W,AA,TP
2	RS01	2001-000429	R-CARBON;1Kohm,5%,1/8W,AA,TP,1.8x3.2mm
2	RS05	2001-000429	R-CARBON;1Kohm,5%,1/8W,AA,TP,1.8x3.2mm
2	RS06	2001-000429	R-CARBON;1Kohm,5%,1/8W,AA,TP,1.8x3.2mm
2	CS27	2201-000292	C-CERAMIC,DISC;1NF,10%,50V,Y5P
2	CS29	2201-000304	C-CERAMIC,DISC;0.001nF,0.25PF,50V,NP0,TP
2	CS30	2201-000304	C-CERAMIC,DISC;0.001nF,0.25PF,50V,NP0,TP
2	CS28	2202-000286	C-CERAMIC,MLC-AXIAL;56PF,5%,50
2	CS31	2202-000286	C-CERAMIC,MLC-AXIAL;56PF,5%,50
2	CS01	2301-000108	C-FILM,PEF;1.5NF,5%,50V,6.5X3.0X5.5MM,5M
2	CS15	2301-000108	C-FILM,PEF;1.5NF,5%,50V,6.5X3.0X5.5MM,5M
2	CS07	2301-000383	C-FILM,PEF;10nF,5%,50V,TP,6x7x3.2mm,5mm
2	CS17	2305-000665	C-FILM;104J,60V,5MM TAPING
2	CS23	2305-000665	C-FILM;104J,60V,5MM TAPING
2	CS03	2401-000318	C-AL(105C);100UF,20%,25V,WT,8X
2	CS12	2401-000480	C-AL;10UF,20%,50V,GP,5X11MM,5M
2	CS14	2401-000480	C-AL;10UF,20%,50V,GP,5X11MM,5M
2	CS06	2401-001026	C-AL;3.3UF,20%,50V,GP,5X11MM,5
2	CS18	2401-001026	C-AL;3.3UF,20%,50V,GP,5X11MM,5
2	CS16	2401-001840	C-AL;100UF,20%,16V,GP,TP,6.3X1
2	CS25	2401-001840	C-AL;100UF,20%,16V,GP,TP,6.3X1
2	LS01	2701-000114	INDUCTOR-AXIAL;10UH,10%,2.5X3.
2	LS03	2701-000169	INDUCTORAXIAL;3.9uH,10%,2.5x3.4mm
2	LS04	2701-000169	INDUCTORAXIAL;3.9uH,10%,2.5x3.4mm
2	XS01	2801-000186	CRYSTAL-UNIT;18.432MHz,25ppm,28-AAAM,8pF
2	JS05	3812-000219	WIRE-SO,COPPER;TA0.6SN/52M/M(A
2	ICS02	1203-000515	IC-VOL DETECTOR;7042,T0-92,3P,177MIL,PL
2	RS10	2001-000780	R-CARBON;470ohm,5%,1/8W,AA,TP,1.8x3.2mm
2	RS11	2001-000780	R-CARBON;470ohm,5%,1/8W,AA,TP,1.8x3.2mm
2	CS36	2301-000232	C-FILM,PEF;3.3NF,5%,50V,8.1X4.
2	CS37	2301-000232	C-FILM,PEF;3.3NF,5%,50V,8.1X4.
2	RS07	2001-000003	R-CARBON;330OHM,5%,1/8W,AA,TP
2	RS08	2001-000003	R-CARBON;330OHM,5%,1/8W,AA,TP
2	PCB	AA41-00573A	PCB-STEREO MODULE;29F6,FR-1.1LA,1.6T,33
2	A/SOUN	AA95-01591A	ASSY SOUND;TROJAN,K15C,STEREO

ASSY-CABINET(COM)

1 A/BACK AA92-01500A ASSY-CABINET(COM);CT26F6SWX/XAP;K15C

2 CB+CF 6002-000514 SCREW-TAPPING;RH,+2,M4,L15,ZP

2 CB+RCA 6002-000514 SCREW-TAPPING;RH,+2,M4,L15,ZP

2 AC+BC AA65-30008A CLAMP-CORD;-,PE,HB,BLK,-,-

2 L/BOX AA68-01542A LABEL;(UNIBOX),PAPER WHT ALLMD

2 PE-BAG AA69-01208A BAG;SHEET,19-20,W42,L50,FOAM,OEM

2 STAPLE AA60-40006A PIN-STAPLE;-,-,H18,33X17.8X2

2 BX-TAP 0203-001295 TAPE-OPP MASKING;1242,T0.06,W100,L91.4M,

2 B/C AA64-02304B CABINET BACK;26F6,HIPS,HB,G4309

2 INL/BA AA64-00892Y INLAY-BACK;PS SHEET,29F6,T0.3,K15C S/T S

2 DRESFB AA65-30018A CLAMP-WIRE;-,-,NYLON6.6,-,-,DATL

2 L/RAT AA68-02292A LABEL-RATING;TROJAN,ART PAPER 90,60X90mm

2 PCK AA69-01638A PACKING CASE;26F6(S/A),CB D-2 BB,A1.675,

2 C/SET AA69-01639A CUSHION-SET;26F6(S/A),EPS,C=0.02

ASSY-CABINET,FRONT

1 A/FRON AA92-01498A ASSY-CABINET,FRONT;CT26F6SWX/XAP;K15C

2 STOPPE AA61-40113A STOPPER-PCB;-ABS,HB,NTR.

2 D-COIL AA27-00219A COIL DEGAUSSING;.25T,1.50HM,25INCH,110V,

2 CRT+CF AA60-10050V SCREW-ASSY;WC,HH,+M6,L30,SWRCH18A,ZPC(S

2 BADGE AA64-70117B BADGE-BRAND;AL,SS,R2000,25,SILVER CT-633

2 SPK 3001-001186 SPEAKER;3W,8ohm,80/#2dB,270HZ

2 L/SPK AA39-20505M LEAD-CONNECTOR;SY4XREC,R700/L350

2 SPK+CF AA60-10008A SCREW-TAPPING;-;TH,+M3,L10,ZP

2 DRESPK AA65-30018A CLAMP-WIRE;-,-,NYLON6.6,-,-,DATL

2 L/QMS AA68-01554A LABEL;QMS,UARCOWHITEPAPER#1343

Electrical Parts List

Loc. No.	Code No.	Description ; Specification	Remark
2	F/C	AA64-02302B	CABINET-FRONT;26F6,HIPS,HB,G4309,SV704P
3	INL/CT	AA64-02306C	INLAY-CONTROL;25F6,PC SHEET V0,T0.5,CLR,
2	SPACER	AA60-00038A	SPACER-CRT;PS,SHEET,T1.0,BLK,0D22.ID10.
2	CDCOI	AA65-00019A	CLAMP CORE-D,COIL;25-34,NYLON 66,V2,NTR

ASSY-CRT

△ 1	A/CRT	AA97-50012R	ASSY-CRT;A63AHC26X(THOMSON)
2	CRT	AA03-00019A	CRT-COLOR;-;A63AHC26X,+300MG,-;100DEG,38
2	D-Y	AA27-50004C	DEFLECTION-YOKE;SEMSA,DSE-2602CL,25V
2	TAPE	Q203-000432	TAPE-ACETATE;ACETATETO.25W19WH
2	SPACER	AA63-60028A	SPACER-DY;-;NEOPRENE,-;BLK,V0W
2	C-Y	AA27-00002A	MAGNET-CONVERGENCE;JH291-SC-OB,29.1M

ASSY TBC WIRE(P)

1	A/TBC	AA98-70002D	ASSY TBC WIRE(P);-;25INCH,NTSC,1P,25F6(T
---	-------	-------------	--

Loc. No.	Code No.	Description ; Specification	Remark
----------	----------	-----------------------------	--------

ASSY-ACCESSORY

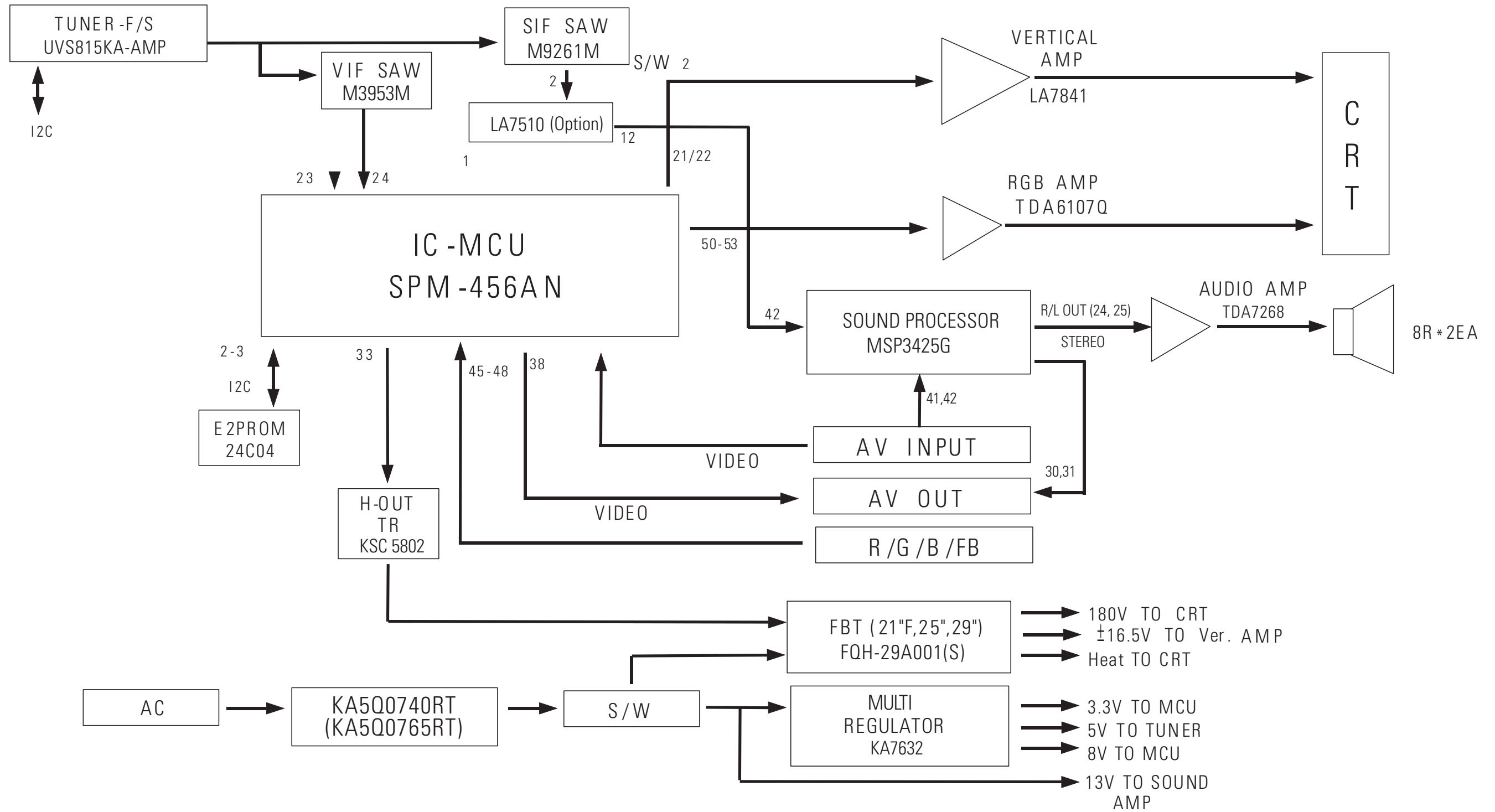
1	A/ACCS	AA97-01858A	ASSY-ACCESSORY;K15C,CT26F6,29F6SWX/XAP
2	C/WARR	AA68-00987A	CARD WARRANTY;-;W/P100,-;---;A4,1P
2	BAG-PE	AA69-01195A	BAG PE;CL29A6W8X,HDPETO.012,93/4X151
2	I/B	AA68-02277A	MANUAL USERS;ENG,W/P100(G),B5,16PAGE,K1
2	I/B2	AA68-02278A	MANUAL USERS;SPA,W/P100(G),B5,16PAGE,K1
2	BATT	4301-000120	BATTERY-MN;1.5V;-;AA

REMOCON

1	RMT	AA59-10113H	REMOCON;DP,TM59,-;---;AA59-10110H,
---	-----	-------------	------------------------------------

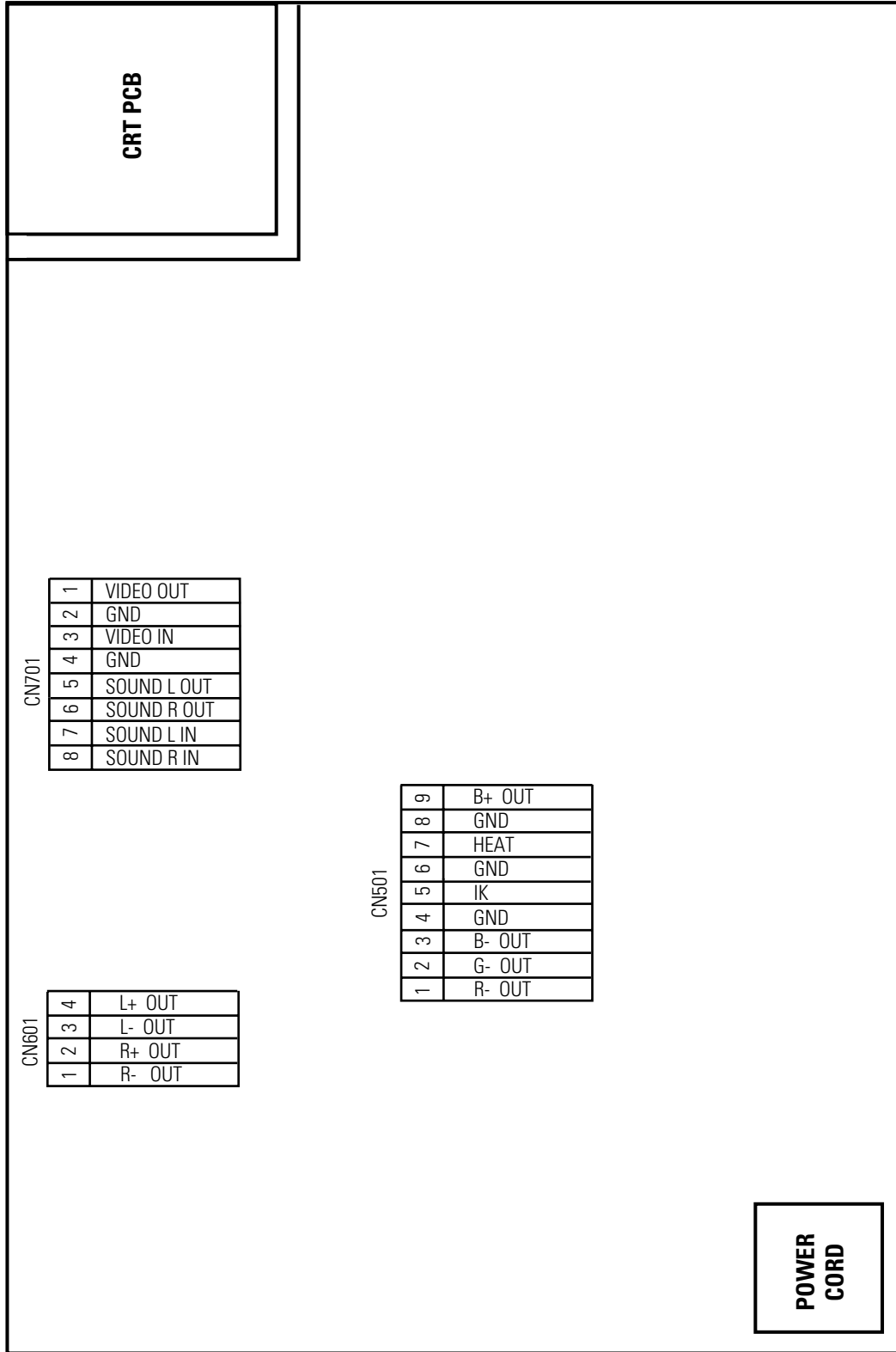
8. Block Diagram

8-1 K15C



9. Wiring Diagram

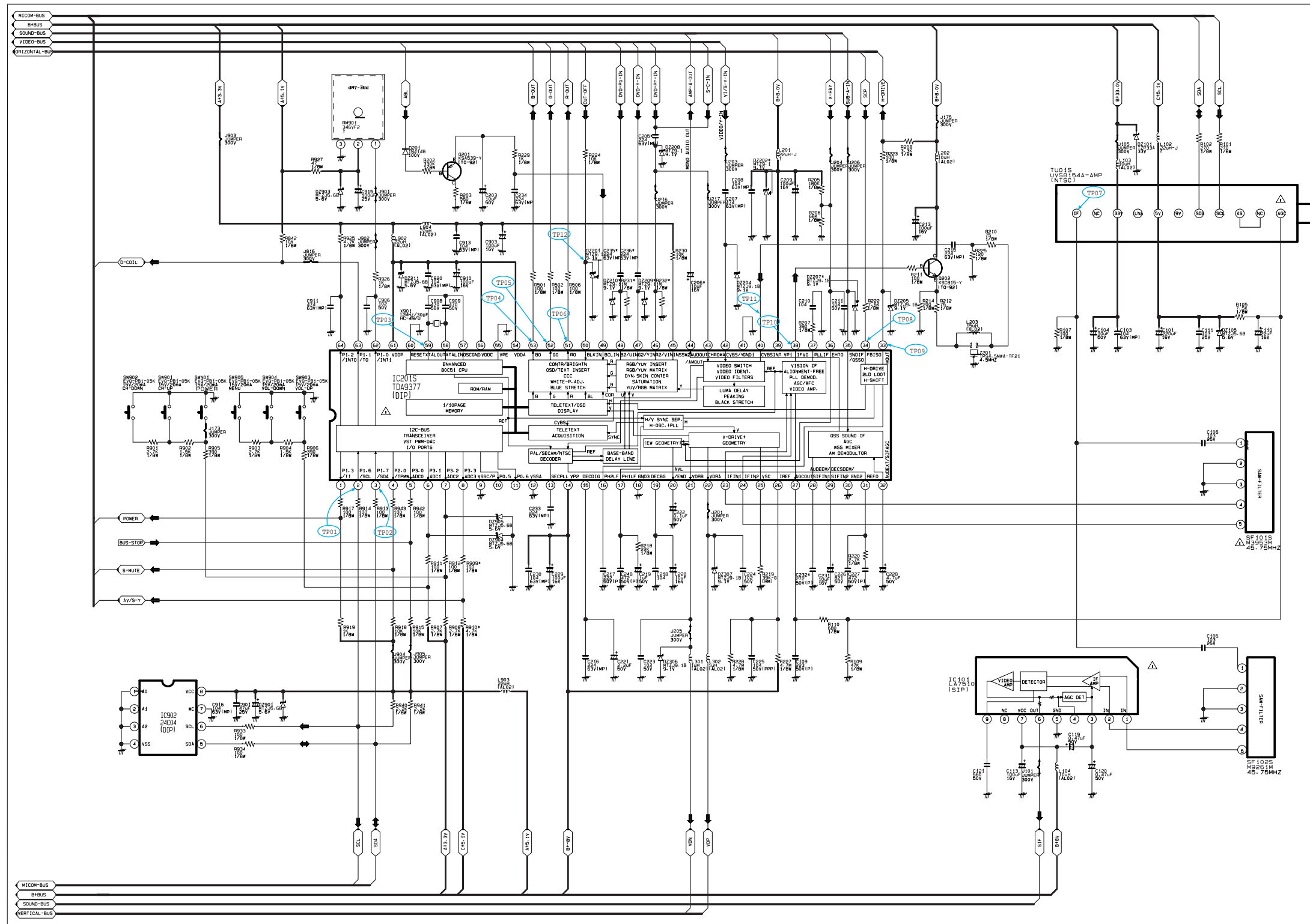
9-1 K15C



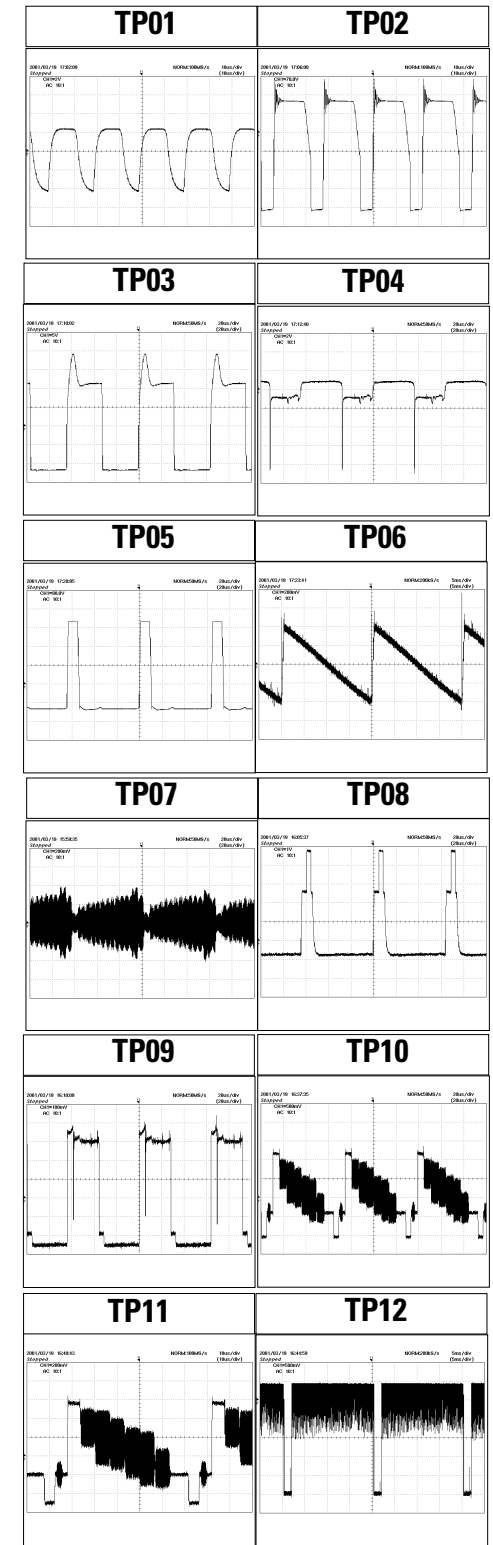
MEMO

10. Schematic Diagrams

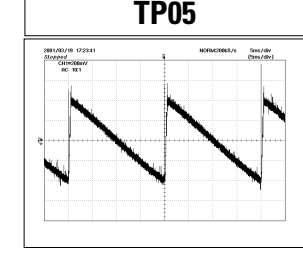
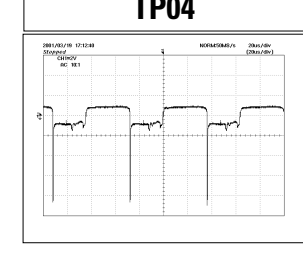
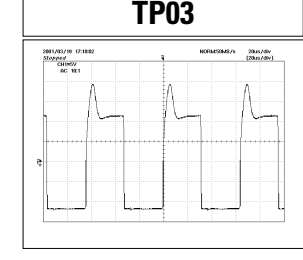
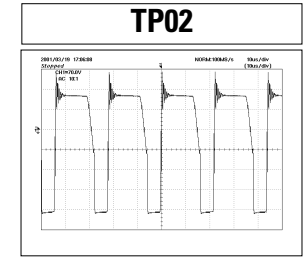
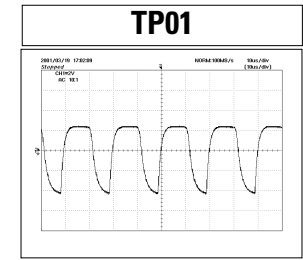
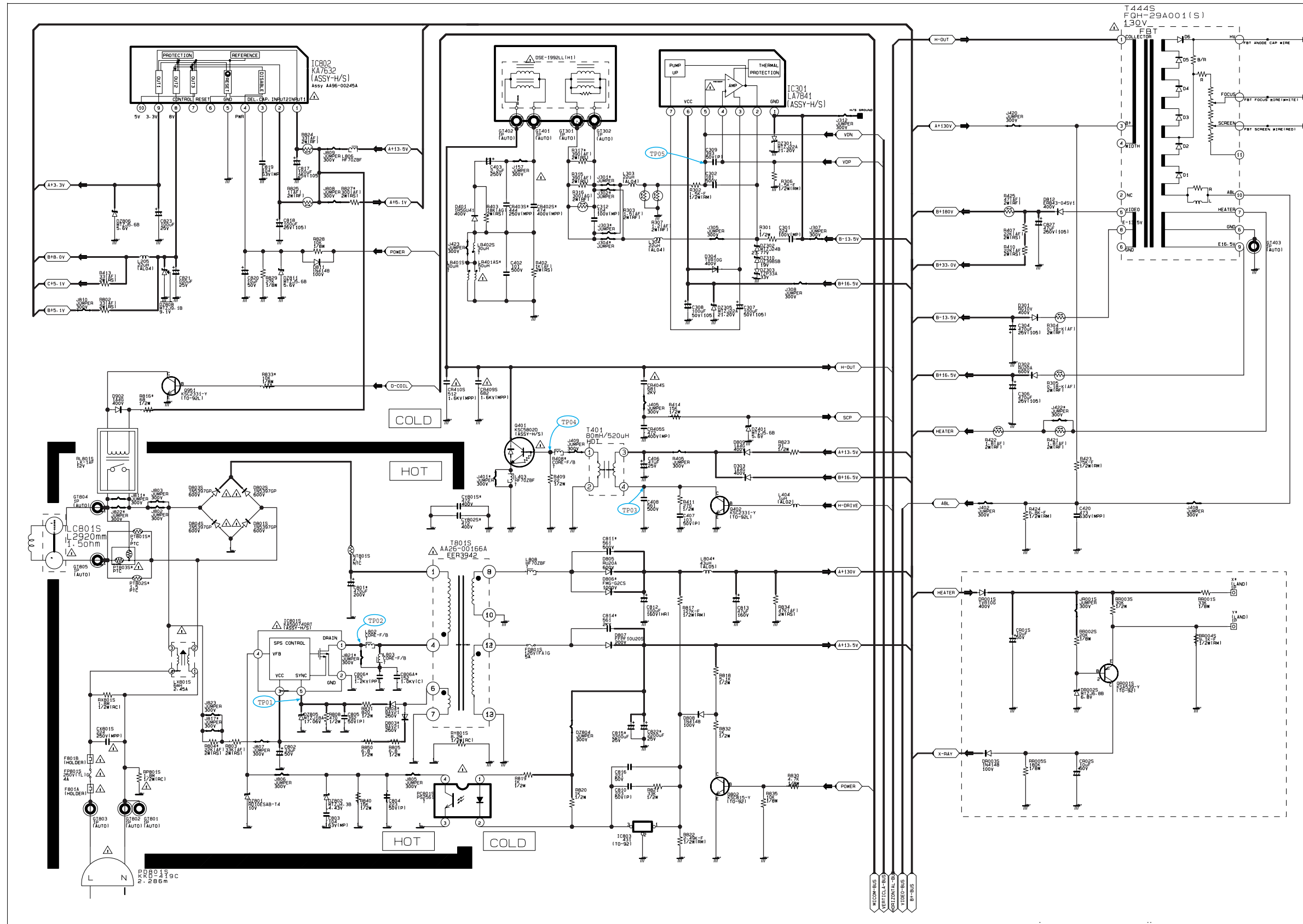
10-1 MAIN (1/4)



— : Power Line
— : Signal Line

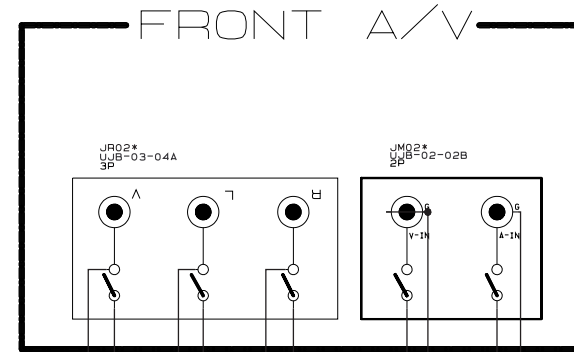
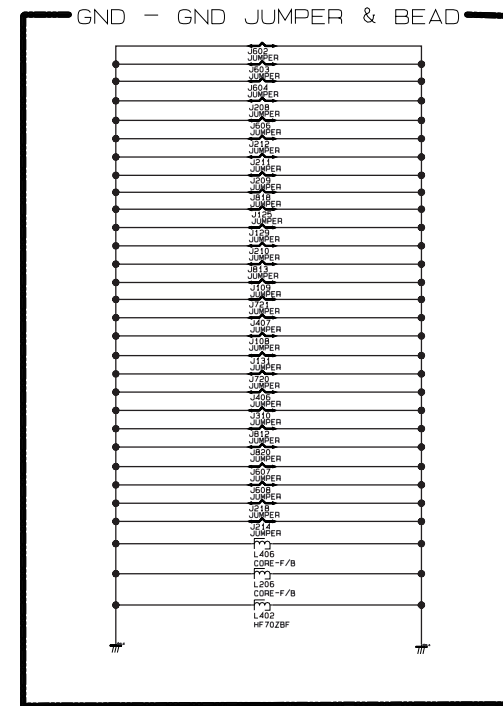
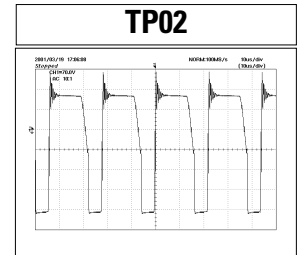
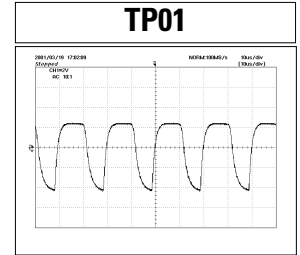
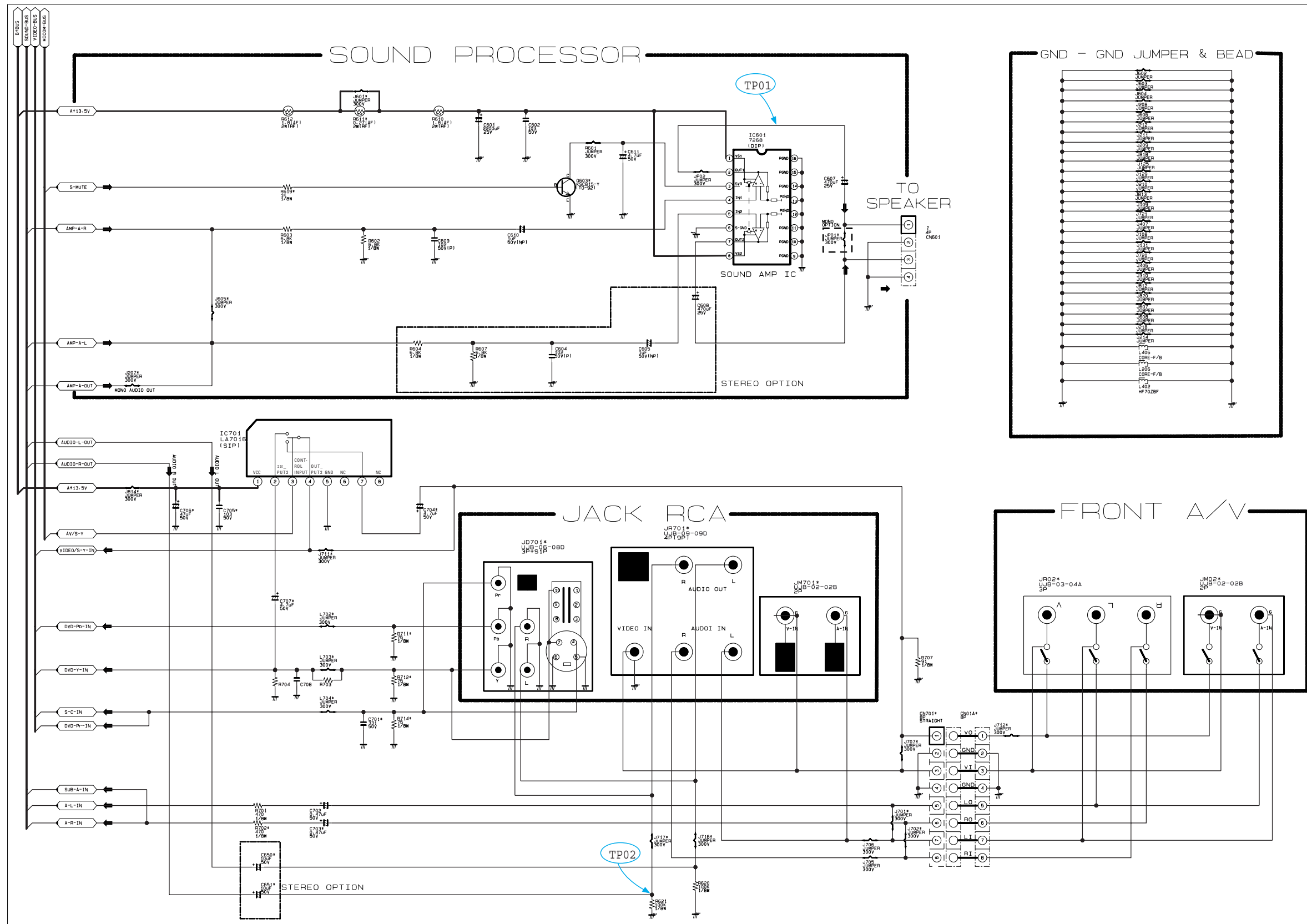


10-2 MAIN (2/4)



— : Power Line
— : Signal Line

10-3 MAIN (3/4)



— : Power Line
— : Signal Line

10-4 MAIN (4/4)

